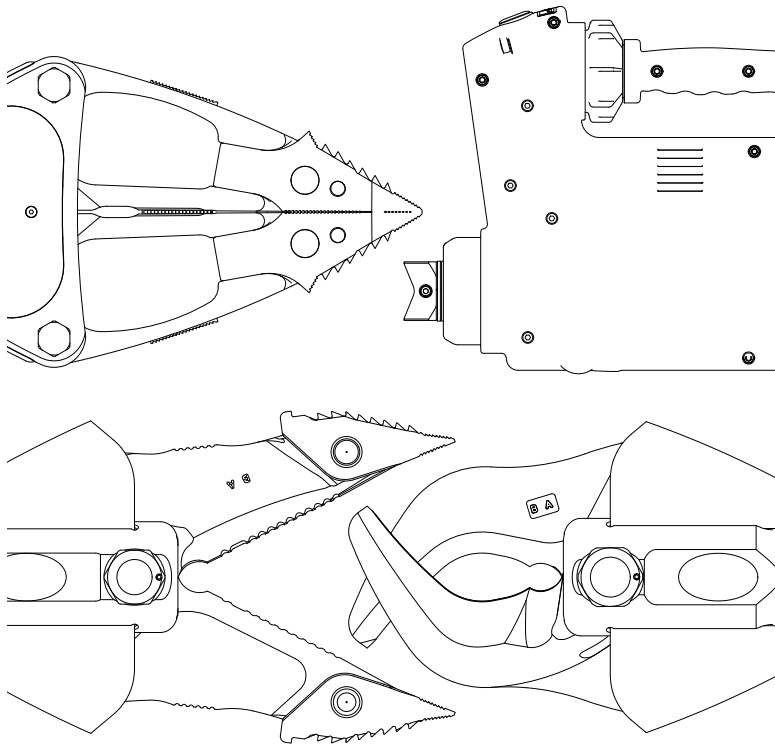




E2 Operating Instructions

English | Español | Français | Português



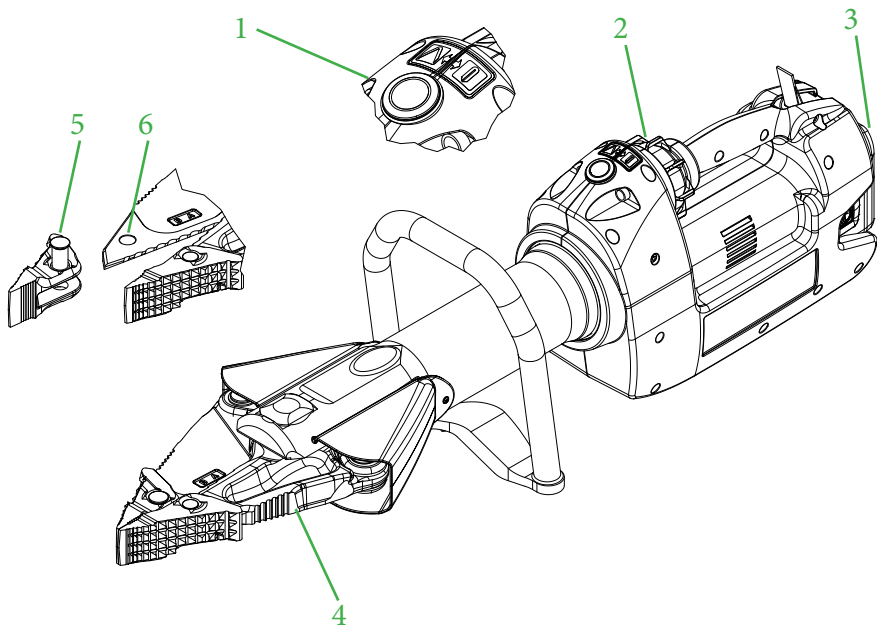
en

es

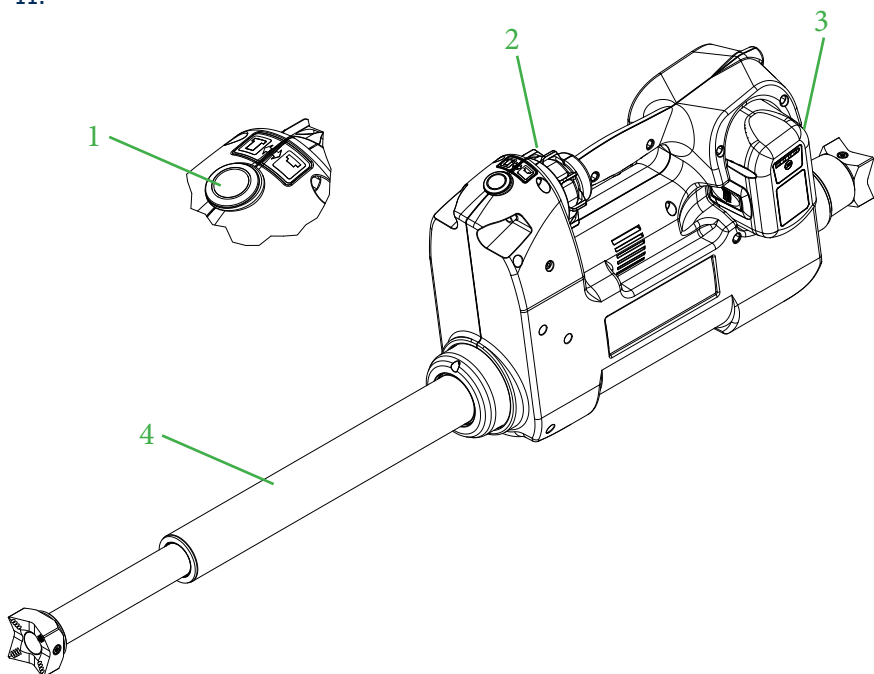
fr

pt

I.



II.



English4

en

Español..... 18

es

Français.....32

fr

Português46

pt

CONTENTS

| | |
|---|----|
| 1. Proper use | 5 |
| 2. Product safety and pictograms | 5 |
| 3. Structure of the devices (Figure I and II) | 8 |
| 4. Operating the devices..... | 8 |
| 4.1 Inserting the battery | 8 |
| 4.2 Removing the battery | 8 |
| 4.3 Querying the battery status | 8 |
| 4.4 Switching on and off..... | 8 |
| 4.5 Actuating the star grip valve | 9 |
| 4.5.1 Cutting..... | 9 |
| 4.5.2 Spreading | 9 |
| 4.5.3 Pulling..... | 9 |
| 4.5.4 Squeezing | 9 |
| 4.5.5 Peeling | 9 |
| 4.5.6 Pushing | 9 |
| 4.6 Removing the tips | 9 |
| 4.7 Dismantling/shutting down after operation | 9 |
| 5. Maintenance and care | 10 |
| 5.1 Repair..... | 10 |
| 5.2 Warranty..... | 10 |
| 5.3 Sharpening the blades | 10 |
| 6. Troubleshooting | 11 |
| 7. Explanation of pictograms for performance tables | 13 |
| 7.1 Technical data | 13 |
| 7.2 Oscillation/vibration | 15 |
| 7.3 Product capacity..... | 15 |
| 8. Accessories..... | 16 |
| 8.1 Batteries | 16 |
| 8.2 Battery charger..... | 16 |
| 8.3 Power Supply | 16 |
| 8.4 Chain sets | 16 |
| 9. Instructions regarding disposal | 16 |

en

es

fr

pt

1. PROPER USE

The product described is an electro-hydraulic rescue device. The equipment is designed for rescuing persons or material assets following a traffic accident or natural disaster and during other rescue missions. The rescue device must not be used to perform lifting operations.

It must always be used in combination with HURST original accessories.

The manufacturer is not liable for damage resulting from improper use. The user bears sole responsibility for such use.

2. PRODUCT SAFETY AND PICTOGRAMS






The safety of the operator is the most important consideration in product design. Furthermore, the operating instructions are intended to help you use HURST products safely.








The generally applicable legal and other binding regulations pertaining to the prevention of accidents and protection of the environment apply and are to be complied with in addition to the operating instructions.





The equipment may only be operated by persons with appropriate training in the safety aspects of such equipment, otherwise, there is a risk of injury.



We would like to point out to all users, they should carefully read, understand and follow all operating instructions before using the product.

We further recommend that you have a qualified trainer show you how to use the product.

| | |
|---|--|
|  | Read the instruction manual for the lithium-ion battery! Visit www.akku-power.com for a copy of the manual. |
| | The operating instructions for accessories must also be taken into account! |
|  | Please ensure that the accessories you use are designed to withstand the maximum operating pressure of the rescue device. |
|  | Never work in a fatigued or intoxicated state! |
| | Always use the equipment as described in the chapter "Proper use". |
|  | Please ensure that no body parts or clothing are caught between the moving parts. |
| | Always hold the equipment by the handles or housing. Do not touch the piston rods of the rescue rams! |
|  | Working under suspended loads is not permitted where such loads are only supported by hydraulic or electro-hydraulic devices. If this work is unavoidable, suitable mechanical supports are also required. |

| | |
|--|--|
|  | Wear a helmet! |
|  | Wear a face guard! |
|  | Wear protective clothing! Provides protection in hot and cold working environments and prevents injuries caused by sharp edges. |
|  | Wear protective gloves! |
|  | Wear safety shoes! |
|  | Always wear ear protection when working in noisy environments. The noise of the equipment itself does not require ear protection. |
|  | Inspect the device before and after use for visible defects or damage. The star grip valve must return to the central position by itself without fail. |
| | Report any changes immediately (including changes in operating behavior)! If necessary, the equipment is to be shut down immediately and secured! |
| | Do not carry out any changes (additions or conversions) to the equipment without obtaining the prior approval of HURST. |
| | All safety instructions on the device must always be complete and in a legible condition. |
| | Any mode of operation which compromises the safety and stability of the device is forbidden! |
| | Safety devices may never be disabled! |
| | Before switching on/starting up the device and during operation, make sure that nobody will be endangered by this. |

| | |
|--|--|
| | Repairs may only be performed by a trained service technician. |
| | Only genuine HURST accessories and spare parts may be used. |
| | Please note that when working with the equipment, material could fall down or suddenly break free as a result of shearing, tearing or breaking. |
| | Observe all intervals for recurring tests and inspections as described in the chapter "Maintenance and care". |
| | The eDRAULIC devices and batteries are not suitable for underwater use. |
| | Swallowing or inhaling the vapor of hydraulic fluid can be detrimental to health. Avoid direct skin contact. Please note that handling hydraulic fluid can negatively affect biological systems. |
| | Moving safety bolts, e.g. for removeable tips, must always be fully inserted and locked. |
| | When using chain sets, make sure that the chains are attached in a straight line and that there are no knots in the chain. |
|  | When working near live components, high voltage flashovers and the passage of current to the device are to be avoided. |
| | Prevent the electrostatic charging of the device. |
|  | HURST eDRAULIC devices are not explosion-protected! Using these devices in explosion-protected areas is forbidden. |
|  | Please ensure that you do not become entangled in cables and trip when working with or transporting the device. |
| | Ensure adequate lighting at the location of use and on the way there. |
|  | The battery housing must not be damaged or subjected to mechanical stresses, as this may damage the cells inside. |
| | Avoid deep discharge of the battery. |
| | Prevent conductive materials such as water, oil or metallic objects from short-circuiting the terminals. |
| | Always allow wet batteries to dry before inserting into the charger. |

| | |
|---|---|
| | If the battery displays an error code, stop using it immediately and contact your dealer! |
|  | Always keep these operating instructions in an easily accessible location close to the device at the place of operation. |
| | eDRAULIC devices have protection class IP54. They can be used in wet weather conditions and are splash-protected. |
| | When working with or storing the device, ensure that the function and the safety of the equipment are not impaired by the effects of high temperatures or that the device is not damaged in any way. Please note that the device can heat up over a long period of use. |
| | Before transporting the device, always ensure that the device and accessories are firmly secured. |
|  | Dispose of all removed parts, hydraulic fluids and packaging materials properly. |

3. STRUCTURE OF THE DEVICES (FIGURE I AND II)

- 1 Main switch
- 2 Star grip valve
- 3 Battery
- 4 Tool
- 5 Removeable tips
- 6 Attachment / Bolt hole

4. OPERATING THE DEVICES

4.1 Inserting the battery

Push the battery straight into the battery slot until it locks in place (Figure A).

4.2 Removing the battery

Release the lock and remove the battery (Figure B).

4.3 Querying the battery status

Press the query button on the battery (Figure M).

4.4 Switching on and off

Actuate the main switch to switch the device on an off (Figure I). The device is ready to operate when the main switch and workspace are illuminated.

4.5 Actuating the star grip valve

The working action is triggered by turning the star grip valve (Figure C). Every rescue device has a deadman function. When the star grip is released, it returns to the center/neutral position automatically. This ensures the load is retained.

4.5.1 Cutting

Turn the star grip valve in the cutting direction (Figure D).

Position the cutter as perpendicular as possible to the object to be cut (Figure E). Cut close to the pivot point of the blade. (Figure F).

4.5.2 Spreading

Turn the star grip valve in the spreading direction (Figure G).

Open a small gap at the start, then insert the spreader tips as far into the gap as possible. Do not spread with the aluminum arms! (Figure H.)

4.5.3 Pulling

Secure the traction device in the Attachment / Bolt hole (6). Actuate the star grip valve in the closing direction (Figure D).

4.5.4 Squeezing

Only squeeze in the squeezing area and with the squeezing plates of the spreader arms (Figure J). Actuate the star grip valve in the closing direction (Figure D).

4.5.5 Peeling

Special peeling tips are needed for peeling (Figure K). Actuate the star grip valve in the opening direction (Figure G).

4.5.6 Pushing

Place the rescue ram between the object to be pushed and actuate the star grip valve in the extending direction (Figure L).

4.6 Removing the tips

The removeable tips are connected to the device arm with bolts. To remove the tips, the bolts must be fully pushed in and then fully locked again (Figure I).

4.7 Dismantling/shutting down after operation

Once work has been completed, the device arms should be closed until the tips are only a few millimeters apart and the ram piston should be almost fully retracted and then extended a few millimeters. This relieves the hydraulic and mechanical strain on the equipment. For transport and storage, all devices should be secured and not loosely stored.

5. MAINTENANCE AND CARE

A visual check must be carried out after each use. After every use, the lubrication of the moving parts and bolts must be checked and topped off with a suitable grease, if necessary. The torque of the central bolt on cutting and combination tools must also be checked. To do so, check the specifications in the spare parts lists.

Any dirt is to be removed with a damp cloth. The rescue device should not come into contact with acids or alkalis. If this is unavoidable, clean the device immediately afterwards.

An annual inspection of the device is due each year and must be documented. The annual inspection must be performed by a person with the necessary expertise.

A function and load test must be conducted every three years or in case of any safety concerns. Only testing equipment approved by HURST may be used. Please also observe the relevant domestic and international regulations on the maintenance intervals of rescue devices.

5.1 Repair

Repairs may only be performed by HURST or personnel trained by HURST. When doing so, observe the information in the spare parts lists.

5.2 Warranty

Always register your tool on the HURST Jaws of Life Internet site. This is the only way to guarantee extended warranty cover.

If tools cannot be repaired, contact an authorized HURST dealer or HURST customer service! The address can be found on the last page of the instruction manual.

5.3 Sharpening the blades

Only remove and smoothen any burrs in the grinding area (Picture N)! Break outs or deep cracks cannot be ground away; in such cases the blades must be replaced.

Tools required:

1. Clamping device (e.g., vise) with jaw protection.
2. Grinder (e.g. angle grinder or belt grinder) with abrasive having a grain size of 80. A diamond file is adequate for small burrs.

Procedure:

1. Clamp the blade securely into the clamping device so that it cannot move, leaving the grinding area exposed (Picture N).
2. Carefully de-burr the grinding area with the grinding machine (Picture N).

6. TROUBLESHOOTING

| Fault | Check | Cause | Solution |
|--|--|--|--|
| The motor does not start after activating the star grip. | The main switch is not illuminated, although it has not been switched off. | The star grip was not used for some time (at least 20 minutes) during battery operation. The battery has been switched off. | To continue working with the device, the eDRAULIC device must first be switched off at the main switch and switched back on again. Alternatively, the capacity display on the battery can be activated, or the battery briefly removed and inserted again. |
| Cylinder pistons move slowly or jerkily when operated. | Battery fully charged? | Battery dead. | Charge battery. |
| | | Battery defective. | Replace battery. |
| | | Air in the hydraulic system. | Repair by an authorized dealer, by personnel specially trained by HURST, or by HURST itself |
| Cylinder pistons do not move when operated. | Battery fully charged? | Battery dead | Charge battery. |
| | | Battery defective. | Replace battery. |
| | | Device defective. | Repair by an authorized dealer, by personnel specially trained by HURST, or by HURST itself. |
| Device doesn't perform at its given power. | | Device defective. | Repair by an authorized dealer, by personnel specially trained by HURST, or by HURST itself. |

en

es

fr

pt

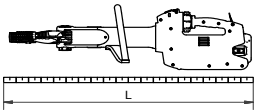
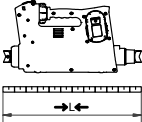
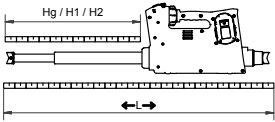
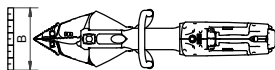
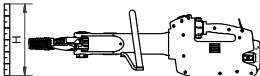


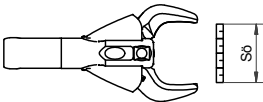
| | | | |
|--|---|---|--|
| Following release, the star grip doesn't return to the central/neutral position. | Casing damaged or star grip operation not working smoothly? | Damage to the torsion spring for reset. | Repair by an authorized dealer, by personnel specially trained by HURST, or by HURST itself. |
| | | Soiled valve or star grip. | |
| | | Defective valve. | |
| | | Other mechanical damage (e.g. star grip). | |
| Hydraulic fluid leaks on the piston rod. | | Defective rod seal. | Repair by an authorized dealer, by personnel specially trained by HURST, or by HURST itself. |
| | | Damage to the piston. | |
| The useful operating time between the individual charging cycles is less than 5 minutes, despite charging the batteries according to the instructions. | | Battery defective. | Replace battery. |

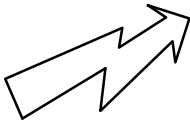

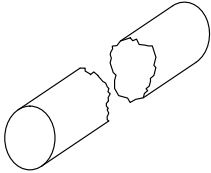
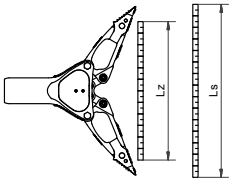

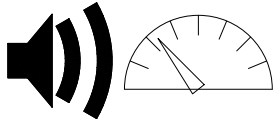
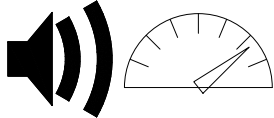
7. EXPLANATION OF PICTOGRAMS FOR PERFORMANCE TABLES

All technical data is subject to tolerances. For this reason, there may be slight deviations between the data in the table and that of your device.

7.1 Technical data

The technical data of the devices can be found on page 60.

| Symbol | Description | Remarks / abbreviation |
|---|--|---|
|  | Length | (without battery) |
|  | Length retracted | →L← |
|  | Length extended | ←L→ |
| | Stroke | Hg |
| | Piston extension 1 | H1 |
| | Piston extension 2 | H2 |
| | Force piston 1 | HSF1 |
|  | Width | (without battery) |
| |  | Height |
|  | | Weight |
| | Weight with battery |  |
|  | Min. cutting opening | |
| | Cutting opening in accordance with EN | |
| | Max. cutting force | (rear-most cutting point) |

| | | |
|---|--------------------------------------|--|
|  | Nominal voltage | U |
| | Power consumption at nominal load | I |
|  | Protection class | |
|  | Round material \emptyset | |
| | Cutting class (EN 13204) | |
| | Cutting class (NFPA 1936) | |
|  | Opening width | Ls |
| | Spreading force | HSF/LSF |
| | Min. spreading force | min. Fs (25mm from the tips) |
| | Max. spreading force | max. Fs *) computed value |
| | Traction path | Lz |
| | Pulling force | HPF/LPF |
| | Max. pulling force | max. Fz (with accompanying chain set) |
|  | Operating temperature range | TB |
| | Storage temperature range | TL |
|  | Acoustic pressure level when idle | LpAL |
| | Acoustic power level when idle | LWAL |
|  | Acoustic pressure level at full load | LpAV |
| | Acoustic power level at full load | LWAV |

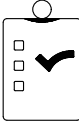
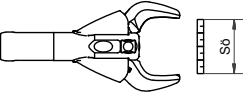
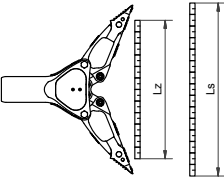
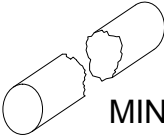

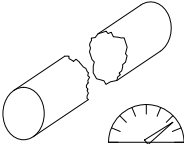


7.2 Oscillation/vibration

The total oscillation value / vibration value to which human arms should be exposed to is typically below 2.5 m/s².

Higher values may be measured for short periods as a result of interaction with the materials to be processed.

(The oscillations / vibrations were determined in accordance with DIN EN ISO 20643.)

7.3 Product capacity




| | |
|---|---|
|  | Type |
|  | Cutter opening [mm] |
|  | Spreading force [kN] |
| | Spreading width [mm] |
|  | Classification based on the minimum performance of the cutter |
|  | Weight [kg] (accurate to one decimal place) |
|  | Cutter power |
|  | Round material |
|  | Flat material |

en

es

fr

pt

| | |
|---|------------------|
|  | Round tube |
|  | Square tube |
|  | Rectangular tube |

8. ACCESSORIES

8.1 Batteries

Only HURST lithium-ion rechargeable batteries may be used to operate eDRAULIC devices. Observe the separate operating instructions for the lithium-ion battery!

8.2 Battery charger

Only the “eDRAULIC Power Pack Charger” may be used for the lithium-ion batteries. Observe the separate operating instructions for the charger.

8.3 Power Supply

For eDRAULIC devices, there is a power supply with which the devices can be connected directly to a power outlet. The power supply transforms the alternating current into direct current, so it can be used in place of the battery. Observe the separate operating instructions for the power supply.

8.4 Chain sets

Chain sets are required in order to perform pulling operations with the eDRAULIC spreaders and eDRAULIC combination tools (see chapter, “Pulling”). Observe the separate operating instructions for the chains sets.

9. INSTRUCTIONS REGARDING DISPOSAL

Please dispose of all packaging materials and removed items correctly. Electrical equipment, accessories and packaging should always be disposed of in an environmentally compatible way.

Only for EU countries:

Do not dispose of electrical equipment with your household waste!

According to the European Directive 2002/96/EC governing electrical and electronic waste and their application in national legislation, old electrical equipment must be separately collected and recycled in an environmentally compatible manner.

en

es

fr

pt

CONTENIDO

| | |
|--|----|
| 1. Uso previsto..... | 19 |
| 2. Seguridad del producto y pictogramas | 19 |
| 3. Estructura de los equipos (imagen I y II) | 22 |
| 4. Utilización de los equipos | 22 |
| 4.1 Insertar la batería | 22 |
| 4.2 Extraer la batería..... | 22 |
| 4.3 Consultar el estado de la batería | 22 |
| 4.4 Encender y apagar..... | 22 |
| 4.5 Accionar la válvula de empuñadura en estrella..... | 23 |
| 4.5.1 Cortar | 23 |
| 4.5.2 Separar..... | 23 |
| 4.5.3 Tirar | 23 |
| 4.5.4 Apretar..... | 23 |
| 4.5.5 Pelar | 23 |
| 4.5.6 Presionar | 23 |
| 4.6 Cambiar las puntas | 23 |
| 4.7 Desmontaje / parada después del funcionamiento | 23 |
| 5. Mantenimiento y cuidados | 24 |
| 5.1 Reparación..... | 24 |
| 5.2 Garantía | 24 |
| 5.3 Reafilado de las cuchillas..... | 24 |
| 6. Análisis de averías..... | 25 |
| 7. Explicación de los pictogramas de las tablas de rendimiento | 27 |
| 7.1 Datos técnicos..... | 27 |
| 7.2 Oscilaciones / Vibraciones | 29 |
| 7.3 Rendimiento del producto | 29 |
| 8. Accesorios | 30 |
| 8.1 Baterías..... | 30 |
| 8.2 Cargador de baterías | 30 |
| 8.3 Fuente de alimentación..... | 30 |
| 8.4 Juegos de cadenas | 30 |
| 9. Indicaciones para la eliminación..... | 30 |

en

es

fr

pt

1. USO PREVISTO

El producto descrito es una herramienta de rescate electro-hidráulica. Está prevista para el rescate de personas o bienes materiales en accidentes de tráfico, catástrofes naturales u otras intervenciones de rescate. La herramienta de rescate no permite ejecutar procesos de elevación.

Únicamente puede utilizarse en combinación con accesorios originales de HURST.

El fabricante no asume responsabilidad alguna por los daños derivados de un uso indebido. El usuario será responsable exclusivo de un uso semejante.

2. SEGURIDAD DEL PRODUCTO Y PICTOGRAMAS




La seguridad del operario es lo más importante a la hora de diseñar el producto. Además, el manual de instrucciones puede resultar de ayuda para utilizar los productos HURST sin peligro.

Además del manual, han de tenerse en cuenta y hacerse cumplir todas las normas de valor general, legales y otras normas vinculantes relativas a la prevención de accidentes y a la protección del medio ambiente.

El equipo solo debe ser manipulado por personas adecuadamente instruidas y con formación técnica en el campo de la seguridad, puesto que en caso contrario existe peligro de lesiones.

Aconsejamos a todos los usuarios que lean atentamente el manual de instrucciones antes de utilizar el equipo. Todas las instrucciones incluidas en él deben observarse sin excepción alguna.

También recomendamos que le instruya una persona experta en el uso de producto.

| | |
|---|---|
|  | ¡Observe el manual de instrucciones de la batería de iones de litio! Lo encontrará en www.akku-power.com |
| | ¡Observe las instrucciones de uso de los accesorios! |
|  | Preste atención a que los accesorios utilizados puedan soportar la presión de servicio máxima de la herramienta de rescate. |
|  | ¡Nunca trabaje estando muy cansado o bajo los efectos del alcohol u otras sustancias! |
| | Utilice el equipo exclusivamente según se describe en el capítulo "Uso previsto". |
|  | Cerciórese de que ninguna parte del cuerpo ni la ropa queden atrapados entre los componentes móviles del equipo. |
| | Toque el equipo únicamente por los asideros o la carcasa. ¡No toque bajo ningún concepto los vástagos de los pistones de los cilindros de rescate! |
|  | Está prohibido trabajar debajo de cargas si estas están soportadas exclusivamente por aparatos hidráulicos o electro-hidráulicos. Si este trabajo resulta imprescindible, será necesario añadir suficientes apoyos mecánicos. |








en





es



fr

pt

19

| | |
|--|--|
|  | ¡Lleve un casco de protección! |
|  | ¡Lleve protección facial! |
|  | ¡Lleve ropa de protección contra entornos de trabajo calientes y fríos y contra lesiones provocadas por bordes agudos! |
|  | ¡Lleve guantes de protección! |
|  | ¡Lleve calzado de seguridad! |
|  | Lleve protección auditiva en caso de tener que trabajar en entornos con un nivel de ruido elevado. El volumen del equipo no requiere el uso de protección auditiva. |
|  | Verifique antes y después del uso si el equipo tiene fallos o daños visibles. La válvula de empuñadura en estrella debe volver por sí misma en todo momento a la posición central. |
| | ¡Notifique de inmediato cualquier cambio (también de funcionamiento)! ¡Si fuese necesario, pare inmediatamente el equipo y retírelo del servicio! |
| | No modifique el equipo (no realice ampliaciones ni transformaciones) sin la autorización de HURST. |
| | Es obligatorio mantener todas las indicaciones de seguridad del equipo íntegras y legibles. |
| | Omita cualquier forma de trabajo que pueda menoscabar la seguridad y la estabilidad del equipo. |
| | ¡Los dispositivos de seguridad no deberán desconectarse nunca! |
| | Antes de encender / poner en marcha y utilizar el equipo, asegúrese de que el funcionamiento del mismo no ponga en peligro a ninguna persona. |

| | |
|--|--|
| | <p>Las reparaciones deben efectuarse exclusivamente por personal cualificado del servicio técnico.</p> <p>Únicamente está permitido utilizar accesorios y repuestos originales de HURST.</p> <p>Al trabajar con los equipos, tenga en cuenta que el material puede cizallarse, romperse o desgarrarse lo que podría hacer que se desprenda o salga proyectado.</p> <p>Respete todos los plazos de las comprobaciones e inspecciones periódicas según se describen en el capítulo Mantenimiento y cuidados.</p> <p>Las herramientas eDRAULIC y las baterías no son aptas para su uso bajo el agua.</p> <p>Los fluidos hidráulicos pueden ser perjudiciales para la salud en caso de ingestión o aspiración. Evite el contacto directo con la piel. Al manipular fluidos hidráulicos hay que tener en cuenta que estos pueden afectar negativamente a los sistemas biológicos.</p> <p>Los pernos de seguridad móviles, p. ej., para las puntas de cambio rápido, deben insertarse siempre por completo y bloquearse.</p> <p>En caso de utilizar juegos de cadenas, compruebe que las cadenas estén colocadas rectas y que no haya nudos en las mismas.</p> |
|  | <p>Al trabajar cerca de componentes bajo tensión, evite las descargas eléctricas de alta tensión y los pasos de corriente al equipo.</p> <p>Evite la carga electrostática del equipo.</p> |
|  | <p>Las herramientas HURST eDRAULIC no están protegidas contra explosiones. Está prohibido utilizarlas en zonas con riesgo de explosión.</p> |
|  | <p>Al trabajar con la herramienta o durante su transporte, tenga cuidado de no engancharse con lazos de cables ni de tropezar.</p> <p>Procure una iluminación suficiente en el lugar de uso y en el camino hasta él.</p> |
|  | <p>La carcasa de la batería no puede sufrir daños ni exponerse a cargas mecánicas puesto que esto podría dañar las celdas situadas en el interior.</p> <p>Evite que la batería se descargue por completo.</p> <p>Evite los cortocircuitos de los polos provocados por materiales conductores como agua, aceite u objetos metálicos.</p> <p>Enchufe la batería al cargador únicamente cuando esté seca. Sequé la batería antes de enchufarla si estuviera mojada.</p> |

| | |
|---|--|
| | No continúe utilizando la batería si muestra un código de error. Póngase en contacto con su distribuidor. |
|  | El manual de instrucciones debe estar siempre al alcance en el lugar de utilización del equipo, en las proximidades del mismo. |
| | Los equipos eDRAULIC cuentan con la clase de protección IP54. También pueden usarse en condiciones meteorológicas húmedas y se encuentran protegidos contra salpicaduras. |
| | Al trabajar con el equipo y durante su almacenaje se debe tener cuidado de que ni el funcionamiento ni la seguridad del mismo se vean afectados por temperaturas elevadas, puesto que el equipo puede resultar dañado. Tenga presente que el equipo puede calentarse si se utiliza durante un tiempo prolongado de forma continuada. |
| | Antes de transportarlo, compruebe siempre que tanto el equipo como los accesorios estén colocados de forma segura. |
|  | Elimine todos los componentes desmontados, los fluidos hidráulicos y el material de embalaje conforme a la normativa vigente. |

3. ESTRUCTURA DE LOS EQUIPOS (IMAGEN I Y II)

- 1 Interruptor principal
- 2 Válvula de empuñadura en estrella
- 3 Batería
- 4 Herramienta
- 5 Puntas intercambiables
- 6 Orificio de paso

4. UTILIZACIÓN DE LOS EQUIPOS

4.1 Insertar la batería

Introduzca la batería recta en el alojamiento de la batería hasta que quede bloqueada (figura A).

4.2 Extraer la batería

Accione el desbloqueo y extraiga la batería (figura B).

4.3 Consultar el estado de la batería

Accione el botón de consulta de la batería (figura M).

4.4 Encender y apagar

Para encender y apagar el equipo, accione el interruptor principal (figura I). La disponibilidad de uso se señala mediante la iluminación del interruptor principal y la iluminación de la zona de trabajo.

4.5 Accionar la válvula de empuñadura en estrella

El movimiento de trabajo se activa girando la válvula de empuñadura en estrella (figura C.) Todas las herramientas de rescate están dotadas de una función de hombre muerto. Después de soltar la empuñadura en estrella, esta vuelve automáticamente a la posición central. La función de mantenimiento de la carga está disponible de inmediato.

4.5.1 Cortar

Gire la válvula de empuñadura en estrella en la dirección de cortar (figura D).

Coloque la herramienta de corte en ángulo recto en el material por cortar (figura E) y realice el corte cerca del punto de giro de las cuchillas (figura F).

4.5.2 Separar

Gire la válvula de empuñadura en estrella en la dirección de separar (figura G).

Aumente la hendidura pequeña al principio y, a continuación, inserte la punta del separador todo lo posible en la hendidura. ¡No realice la separación con los brazos de aluminio (figura H)!

4.5.3 Tirar

Fije el dispositivo de tracción en el orificio de paso (6). Accione la válvula de empuñadura en estrella en la dirección de cerrar (figura D).

4.5.4 Apretar

Realice el apriete exclusivamente en la zona de apriete y con las placas de apriete de los brazos separadores (figura J). Accione la válvula de empuñadura en estrella en la dirección de cerrar (figura D).

4.5.5 Pelar

Para pelar se necesitan puntas de corte especiales (figura K). Accione la válvula de empuñadura en estrella en la dirección de abrir (figura G).

4.5.6 Presionar

Coloque el cilindro de rescate entre el objeto que vaya a presionar y accione la válvula de empuñadura en estrella en la dirección de desplegar (figura L).

4.6 Cambiar las puntas

Las puntas intercambiables están unidas a los brazos de la herramienta mediante pernos. Para realizar el cambio, los pernos deben insertarse por completo y, seguidamente, volver a bloquearse completamente (figura I).

4.7 Desmontaje / parada después del funcionamiento

Tras finalizar los trabajos, cierre los brazos de la herramienta hasta dejar la mínima distancia en mm en el espacio entre las puntas o retraiga el pistón del cilindro y vuelva a extraerlo unos pocos mm. Con ello se relaja hidráulica y mecánicamente toda la herramienta. Asegure el equipo para transportarlo y para almacenarlo en los soportes previstos para tal fin.

5. MANTENIMIENTO Y CUIDADOS

Realice una comprobación visual después de cada uso. Controle la lubricación de los componentes móviles y de los pernos después de cada uso intenso y, dado el caso, renueve la lubricación con una grasa autorizada. Compruebe asimismo el par de apriete del perno central en las herramientas de corte y combinadas teniendo para ello en cuenta los datos de las listas de repuestos.

Elimine la suciedad con un paño húmedo. La herramienta de rescate no debe entrar en contacto con ácidos ni con lejía. En caso de que esto no se pudiera evitar, limpie la herramienta inmediatamente.

Las herramientas se deben someter a una inspección anual que debe documentarse. Esta inspección anual debe ser realizada por una persona experta.

Cada tres años o en caso de dudas referentes a la seguridad, se tiene que realizar una prueba de funcionamiento y de carga. Únicamente pueden utilizarse equipos de comprobación autorizados por HURST. Observe a este respecto también las normativas nacionales e internacionales en vigor relativas a los intervalos de mantenimiento de herramientas de rescate.

5.1 Reparación

Las reparaciones deben realizarse exclusivamente por HURST o por una persona capacitada por HURST. Observe a este respecto las indicaciones de las listas de repuestos.

5.2 Garantía

Registre siempre su herramienta en la página de Internet de la empresa HURST Jaws of Life. Solo así tiene derecho a la prestación ampliada de garantía.

En caso de que las averías no se puedan reparar, le rogamos que se ponga en contacto con un distribuidor de HURST o con el servicio posventa de HURST. Encontrará la dirección en la última página del manual.

5.3 Reafilado de las cuchillas

¡Solo se deben eliminar y alisar las rebabas que se hayan formado en la zona de afilado (figura N)! Las perforaciones o fisuras profundas no se pueden reafilar más. En estos casos, habrá que sustituir las cuchillas.

Herramientas necesarias:

1. Dispositivo de sujeción (p. ej., un tornillo de banco) con mordazas de protección.
2. Máquina afiladora (p. ej. flexible o sinfín) con un abrasivo, que presente aproximadamente un granulado de 80. Una lima de diamante es suficiente para las pequeñas rebabas.

Procedimiento:

1. Sujete las cuchillas fuertemente con el dispositivo de sujeción, hasta que no se puedan mover más, dejando libre la zona de afilado (figura N).
2. Elimine las rebabas de la zona de afilado con cuidado con la máquina afiladora (figura N).

en

es

fr

pt

6. ANÁLISIS DE AVERÍAS

| Fallo | Control | Causa | Solución |
|--|--|---|--|
| El motor no arranca después del accionamiento de la empuñadura en estrella | El interruptor principal no está iluminado, aunque no ha sido desconectado | La empuñadura en estrella no ha sido accionada durante un periodo largo (mín. 20 minutos) durante el funcionamiento con batería. La batería se ha desactivado. | Para poder trabajar de nuevo con el equipo, primero debe desconectarse y volver a conectarse el equipo eDRAULIC a través del interruptor principal. Como alternativa, también es posible accionar la indicación de capacidad de la batería o extraer brevemente la batería y volver a insertarla |
| Los pistones del cilindro se mueven lentamente o a tirones al ser accionados | ¿Batería completamente cargada? | Batería vacía | Cargar la batería |
| | | Batería defectuosa | Sustituir la batería |
| | | Aire en el sistema hidráulico | Solicitar al distribuidor autorizado, a personal específicamente formado por HURST o directamente a la empresa HURST que repare la avería |
| Los pistones del cilindro no se mueven al ser accionados | ¿Batería completamente cargada? | Batería vacía | Cargar la batería |
| | | Batería defectuosa | Sustituir la batería |
| | | Equipo averiado | Solicitar al distribuidor autorizado, a personal específicamente formado por HURST o directamente a la empresa HURST que repare la avería |

en

es

fr

pt

en

es

fr

pt

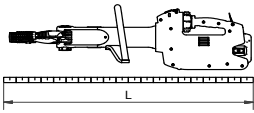
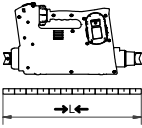
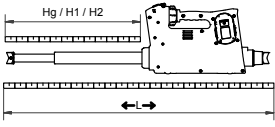
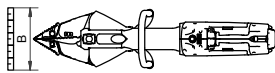


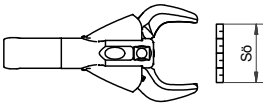
| | | | |
|--|--|---|--|
| La herramienta no aporta la fuerza indicada | | Equipo averiado | Solicitar al distribuidor autorizado, a personal específicamente formado por HURST o directamente a la empresa HURST que repare la avería |
| Después de soltarla, la empuñadura en estrella no retorna a la posición central | ¿La carcasa está dañada o el accionamiento de la empuñadura en estrella funciona con dificultad? | Daño del resorte de brazos para el retorno | Solicitar al distribuidor autorizado, a personal específicamente formado por HURST o directamente a la empresa HURST que repare la avería |
| | | Suciedad en la válvula o en la empuñadura en estrella | |
| | | Válvula averiada | |
| | | Otros daños mecánicos (p. ej.: la empuñadura en estrella) | |
| Fuga de líquido hidráulico en el vástago del pistón. | | Junta del vástago defectuosa | Solicitar al distribuidor autorizado, a personal específicamente formado por HURST o directamente a la empresa HURST que repare la avería. |
| | | Pistón dañado | |
| El tiempo de trabajo útil entre los ciclos individuales de carga es inferior a 5 minutos, a pesar de que la carga es conforme a lo prescrito | | Batería defectuosa | Sustituir la batería |

7. EXPLICACIÓN DE LOS PICTOGRAMAS DE LAS TABLAS DE RENDIMIENTO

Todos los datos técnicos están sujetos a tolerancias. Por este motivo pueden darse ligeras desviaciones entre los datos de la tabla y los de su equipo.

7.1 Datos técnicos

Encontrará los datos técnicos de los equipos a partir de la página 60.

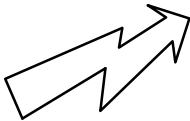

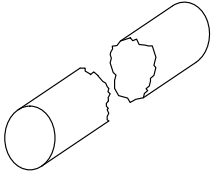
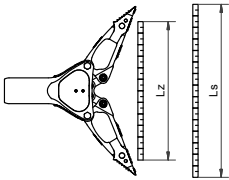

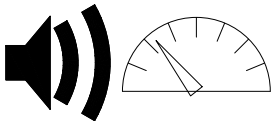
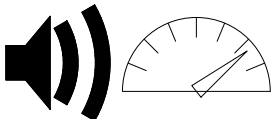
| Símbolo | Descripción | Observación/ abreviatura |
|---|----------------------------|---|
|  | Longitud | (Sin batería) |
|  | Longitud replegada | →L← |
|  | Longitud desplegada | ←L→ |
| | Carrera | Hg |
| | Carrera del pistón 1 | H1 |
| | Carrera del pistón 2 | H2 |
| | Fuerza del pistón 1 | HSF1 |
|  | Anchura | (Sin batería) |
| | Altura | |
|  | Peso | (Sin batería) |
| | Peso con batería |  |
|  | Abertura de corte mín. | |
| | Abertura de corte según EN | |
| | Fuerza de corte máx. | (Tope posterior de la superficie de corte) |

en

es

fr

pt

| | | |
|---|--|---|
|  | Tensión nominal | U |
| | Consumo de corriente con carga nominal | I |
|  | Clase de protección | |
|  | Ø de material redondo | |
| | Clase de corte (EN 13204) | |
| | Clase de corte (NFPA 1936) | |
|  | Ancho de apertura | Ls |
| | Fuerza de separación | HSF/LSF |
| | Fuerza de separación mín. | FS mín. (25 mm retirada de las puntas) |
| | Fuerza de separación máx. | FS máx.) calculado matemáticamente |
| | Recorrido de tracción | Lz |
| | Fuerza de tracción | HPF/LPF |
| | Fuerza de tracción máx. | Fz máx. (con juego de cadenas correspondiente) |
|  | Rango de temperatura de servicio | TB |
| | Rango de temperatura de almacenamiento | TL |
|  | Nivel de presión acústica en vacío | LpAL |
| | Nivel de potencia acústica en vacío | LWAL |
|  | Nivel de presión acústica a plena carga | LpAV |
| | Nivel de potencia acústica a plena carga | LWAV |

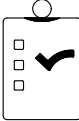
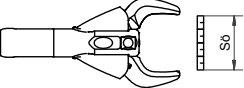
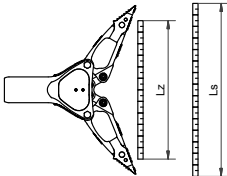
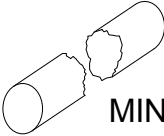
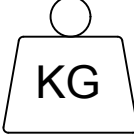
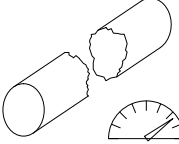


7.2 Oscilaciones / Vibraciones

El valor total de oscilación / valor de vibración, al que están expuestas las extremidades superiores del cuerpo es, por regla general, inferior a 2,5 m/s².

Sin embargo, como consecuencia de los efectos del cambio de material a trabajar se pueden producir momentáneamente unos valores superiores.

(Las oscilaciones / vibraciones están determinadas de acuerdo con la norma DIN EN ISO 20643).

7.3 Rendimiento del producto




| | |
|---|---|
|  | Modelo |
|  | Abertura de herramienta de corte [mm] |
|  | Fuerza de separación [kN] |
| | Anchura de separación [mm] |
|  | Clasificación basada en la potencia mínima de la herramienta de corte |
|  | Peso [kg] (con una precisión de un decimal) |
|  | Potencia de la herramienta de corte |
|  | Redondo |
|  | Plano |

en

es

fr

pt

| | |
|---|-------------------|
|  | Tubo redondo |
|  | Tubo cuadrangular |
|  | Tubo rectangular |

8. ACCESORIOS

8.1 Baterías

Para el funcionamiento de las herramientas eDRAULIC se deben utilizar exclusivamente baterías de iones de litio HURST. ¡Observe el manual de instrucciones específico de la batería de iones de litio!

8.2 Cargador de baterías

Para las baterías de iones de litio se debe utilizar exclusivamente el cargador "eDRAULIC Power Pack Charger". Observe el manual de instrucciones específico del cargador.

8.3 Fuente de alimentación

Para las herramientas eDRAULIC se dispone de una fuente de alimentación con la que los equipos pueden conectarse directamente a la red eléctrica. La fuente de alimentación transforma la corriente alterna en corriente continua, lo que permite usarla en lugar de la batería. Observe el manual de instrucciones específico de la fuente de alimentación.

8.4 Juegos de cadenas

Para los procesos de tracción con las herramientas de separación eDRAULIC y herramientas combinadas se necesitan juegos de cadenas (véase capítulo "Tirar"). Observe el manual de instrucciones específico de los juegos de cadenas.

9. INDICACIONES PARA LA ELIMINACIÓN

Elimine todos los materiales de embalaje y piezas desmontadas conforme a la normativa vigente. Los aparatos electrónicos, los accesorios y los embalajes deberían ser reciclados respetando el medio ambiente.

Solo para países de la UE:

¡No elimine aparatos eléctricos con la basura doméstica!

De acuerdo con la Directiva europea 2002/96/CE sobre aparatos eléctricos y electrónicos usados y su conversión a la legislación nacional, los aparatos que ya no funcionen deben ser recogidos por separado y reciclados respetando el medio ambiente.

en

es

fr

pt

31

SOMMAIRE

| | |
|---|----|
| 1. Utilisation conforme | 33 |
| 2. Sécurité du produit et pictogrammes | 33 |
| 3. Structure des appareils (figures I et II)..... | 36 |
| 4. Utilisation des appareils..... | 36 |
| 4.1 Installation de l'accu | 36 |
| 4.2 Extraction de l'accu | 36 |
| 4.3 Consultation de l'état de l'accu | 36 |
| 4.4 Mise sous/hors tension | 36 |
| 4.5 Actionnement de la valve de la poignée-étoile..... | 37 |
| 4.5.1 Découpe | 37 |
| 4.5.2 Écartement..... | 37 |
| 4.5.3 Traction..... | 37 |
| 4.5.4 Écrasement | 37 |
| 4.5.5 Pelage | 37 |
| 4.5.6 Compression | 37 |
| 4.6 Remplacement des pointes..... | 37 |
| 4.7 Démontage/Mise à l'arrêt après utilisation | 37 |
| 5. Maintenance et entretien | 38 |
| 5.1 Réparation..... | 38 |
| 5.2 Garantie | 38 |
| 5.3 Affûtage des lames..... | 38 |
| 6. Analyse des anomalies..... | 39 |
| 7. Explication des pictogrammes dans les tableaux de performance..... | 41 |
| 7.1 Caractéristiques techniques..... | 41 |
| 7.2 Oscillations/Vibrations..... | 43 |
| 7.3 Performances du produit..... | 43 |
| 8. Accessoires..... | 44 |
| 8.1 Accus..... | 44 |
| 8.2 Chargeur d'accu..... | 44 |
| 8.3 Adaptateur secteur | 44 |
| 8.4 Jeux de chaînes | 44 |
| 9. Consignes de mise au rebut..... | 44 |

en

es

fr

pt

1. UTILISATION CONFORME

Le produit décrit est un appareil de sauvetage électroportatif. Il est destiné au sauvetage de personnes ou de biens matériels en cas d'accidents de circulation, de catastrophes naturelles ou de diverses missions de sauvetage. Ne pas exécuter d'opération de levage avec l'appareil de sauvetage.

Utiliser l'appareil uniquement avec des accessoires d'origine HURST.

Le fabricant décline toute responsabilité en cas de dommages dus à une utilisation non conforme. L'utilisateur est seul responsable d'une telle utilisation.

2. SÉCURITÉ DU PRODUIT ET PICTOGRAMMES

La sécurité de l'utilisateur est la principale priorité lors de la conception du produit. Par ailleurs, le manuel d'utilisation doit aider à utiliser les produits HURST sans aucun risque.

Outre les consignes données dans ce manuel, respectez les réglementations générales, légales et autres règlements obligatoires concernant la prévention des accidents et la protection de l'environnement et donnez les instructions nécessaires pour leur mise en application.

L'appareil ne peut être utilisé que par une personne ayant reçu une formation appropriée sur les règles de sécurité. Dans le cas contraire, il existe des risques de blessure.

Tous les utilisateurs sont invités à lire attentivement ce manuel avant d'utiliser l'appareil. Toutes les instructions incluses doivent être respectées sans restriction.

Nous vous recommandons également de suivre une formation à l'utilisation du produit dispensée par un formateur qualifié.

| | |
|---|---|
|  | Respectez le manuel d'utilisation de l'accu lithium-ion ! Il est disponible sur le site www.aku-power.com |
| | Respectez les manuels d'utilisation des accessoires ! |
|  | Veillez à ce que les accessoires utilisés soient dimensionnés à la pression de service maximale de l'appareil de sauvetage. |
|  | Ne travaillez pas si vous êtes trop fatigué ou en état d'ivresse ! |
| | Utilisez exclusivement l'appareil selon la procédure décrite au chapitre « Utilisation conforme ». |
|  | Veillez à ce qu'aucune partie du corps ou d'un vêtement ne touche les pièces mobiles. |
| | Ne manier l'appareil que par ses poignées ou son boîtier, sans toucher les tiges de piston des vérins de sauvetage ! |
|  | Il est interdit de travailler sous des charges suspendues lorsque celles-ci sont soutenues par des appareils hydrauliques ou électroportatifs uniquement. Si ce travail est nécessaire, un étalement mécanique supplémentaire est requis. |

en

es

fr

pt








33





en



es

fr

pt

| | |
|---|--|
|  | Portez un casque de protection ! |
|  | Portez un masque de protection ! |
|  | Portez des vêtements de protection ! Ils fournissent une protection dans les environnements de travail chauds ou froids et préviennent les blessures causées par des arêtes vives. |
|  | Portez des gants de protection ! |
|  | Portez des chaussures de sécurité ! |
|  | Portez une protection auditive si vous travaillez dans des environnements bruyants ; le niveau sonore de l'appareil ne requiert pas de protection auditive. |
|  | Avant et après chaque utilisation, contrôlez que l'appareil ne présente pas de défauts ou dommages visibles. La valve de la poignée-étoile doit toujours revenir automatiquement en position centrale. |
| | Signaler immédiatement tout changement (y compris celui du comportement en fonctionnement) ! Le cas échéant, arrêtez l'appareil et sécurisez-le immédiatement ! |
| | Ne procédez pas à des modifications (ajouts ou transformations) de l'appareil sans accord de la société HURST. |
| | Toutes les consignes de sécurité figurant sur l'appareil doivent être au complet et parfaitement lisibles. |
| | Toute méthode de travail entravant la sécurité et la stabilité de l'appareil est à proscrire. |
| | Les dispositifs de sécurité ne doivent en aucun cas être désactivés ! |
| Avant d'allumer/éteindre l'appareil et pendant son fonctionnement, assurez-vous que personne ne sera en danger. | |

| | |
|--|--|
| | <p>Les réparations doivent uniquement être effectuées par un personnel de maintenance qualifié.</p> <p>Utiliser exclusivement des accessoires et pièces de rechange d'origine HURST.</p> <p>Durant le travail avec les appareils, tenez compte du fait que le matériau peut se cisailer, s'arracher ou se casser et peut par conséquent tomber ou être projeté.</p> <p>Respectez tous les délais relatifs aux contrôles et inspections récurrents, tel que décrit au chapitre Maintenance et entretien.</p> <p>Les appareils eDRAULIC ainsi que les accus ne sont pas adaptés aux utilisations sous-marines.</p> <p>Les liquides hydrauliques peuvent être nocifs pour la santé en cas d'ingestion ou d'inhalation de leurs vapeurs. Éviter tout contact direct avec la peau. Veillez noter que la manipulation de fluide hydraulique peut altérer les systèmes biologiques.</p> <p>Les boulons de sécurité mobiles, par ex. pour les pointes à changement rapide, doivent toujours être parfaitement insérés et verrouillés.</p> <p>En cas d'utilisation de jeux de chaînes, vérifiez que les chaînes sont bien rectilignes et qu'elles ne sont pas enchevêtrées.</p> |
|  | <p>En cas de travaux à proximité de composants sous tension, éviter les décharges disruptives de haute tension et les passages de courant sur l'appareil.</p> <p>Évitez toute charge électrostatique de l'appareil.</p> |
|  | <p>Les appareils eDRAULIC HURST ne sont pas protégés contre les explosions ! Toute utilisation dans des atmosphères explosibles est interdite.</p> |
|  | <p>Veillez à ne pas vous emmêler dans les câbles ou à trébucher lorsque vous travaillez avec l'appareil ou durant son transport.</p> <p>Veillez assurer un éclairage suffisant sur le lieu d'utilisation et sur le chemin d'accès.</p> |
|  | <p>Le boîtier de l'accumulateur ne doit pas être endommagé ou être exposé à des charges mécaniques ; ceci pourrait endommager les cellules situées à l'intérieur.</p> <p>Évitez toute décharge totale de l'accumulateur.</p> <p>Évitez de court-circuiter les pôles par le biais de matériaux conducteurs tels que l'eau, l'huile ou des objets métalliques.</p> <p>N'insérez l'accu dans le chargeur que lorsqu'il est sec.</p> <p>Bien sécher les accus mouillés avant de les insérer.</p> |

| | |
|---|--|
| | N'utilisez plus l'accu lorsqu'il affiche un code d'erreur et contactez votre revendeur ! |
|  | Gardez toujours ce manuel d'utilisation dans un endroit facilement accessible et à proximité de l'appareil sur le lieu d'utilisation. |
| | Les appareils eDRAULIC répondent aux exigences de la classe de protection IP54. Ils peuvent être utilisés y compris par temps humide et sont protégés contre les projections d'eau. |
| | Lors de l'utilisation ou du stockage de l'appareil, veiller à ne pas altérer son fonctionnement et sa sécurité sous l'action de températures élevées et à ne pas l'endommager. Tenez compte du fait que l'appareil peut chauffer en cas d'utilisation prolongée. |
| | Avant chaque transport, vérifiez que l'appareil et ses accessoires sont stockés en toute sécurité. |
|  | Mettez au rebut toutes les pièces démontées, les liquides hydrauliques ainsi que les matériaux d'emballage de façon appropriée. |

3. STRUCTURE DES APPAREILS (FIGURES I ET II)

- 1 Interrupteur principal
- 2 Valve de la poignée-étoile
- 3 Accu
- 4 Outil
- 5 Pointes interchangeables
- 6 Orifice de traction

4. UTILISATION DES APPAREILS

4.1 Installation de l'accu

Insérer l'accu directement dans son logement jusqu'à ce qu'il se verrouille (Figure A.)

4.2 Extraction de l'accu

Actionner le déverrouillage et retirer l'accu (Figure B.)

4.3 Consultation de l'état de l'accu

Appuyer sur le bouton d'interrogation de l'accu (Figure M.)

4.4 Mise sous/hors tension

Actionner l'interrupteur principal pour allumer ou éteindre l'appareil (Figure I). L'appareil est prêt à fonctionner lorsque l'interrupteur principal et l'espace de travail sont éclairés.

4.5 Actionnement de la valve de la poignée-étoile

Le mouvement est déclenché en tournant la valve de la poignée-étoile. (Figure C.) Chaque appareil de sauvetage est doté d'une fonction «homme mort». Lorsque la poignée-étoile est relâchée, elle revient automatiquement à la position centrale. La fonction de maintien de la charge est alors immédiatement active.

4.5.1 Découpe

Tourner la valve de la poignée-étoile dans le sens de la découpe. (Figure D.)

Placer si possible la cisaille perpendiculairement à l'objet à découper (Figure E.) et couper près du point de rotation des lames (Figure F.).

4.5.2 Écartement

Tourner la valve de la poignée-étoile dans le sens de l'écartement (Figure G.)

Commencer par agrandir une petite fente, puis insérer la pointe de l'écarteur le plus loin possible dans la fente ; ne pas écarter avec les bras en aluminium ! (Figure H.)

4.5.3 Traction

Fixer le dispositif de traction dans l'orifice (6). Tourner la valve de la poignée-étoile dans le sens de fermeture. (Figure D.)

4.5.4 Écrasement

Écraser uniquement dans la zone appropriée et en utilisant les plaques d'écrasement des bras de l'écarteur (Figure J.) ; tourner la valve de la poignée-étoile dans le sens de fermeture. (Figure D.)

4.5.5 Pelage

Pour effectuer cette opération, des pointes de pelage spéciales sont nécessaires (Figure K.) ; tourner la valve de la poignée-étoile dans le sens d'ouverture. (Figure G.)

4.5.6 Compression

Placer le vérin de sauvetage entre les objets à comprimer ; tourner la valve de la poignée-étoile dans le sens de déploiement. (Figure L.)

4.6 Remplacement des pointes

Les pointes interchangeables sont reliées aux bras de l'appareil par des boulons. Pour effectuer le changement, enfoncer complètement les boulons, puis les verrouiller à nouveau. (Figure I)

4.7 Démontage/Mise à l'arrêt après utilisation

Une fois le travail terminé, les bras de l'appareil doivent être fermés jusqu'à obtenir un écartement de quelques millimètres entre les pointes et le piston du vérin doit être rétracté puis ressorti de quelques mm. Cela atténue les contraintes hydrauliques et mécaniques sur l'appareil. Sécuriser l'appareil dans les supports prévus à cet effet en cas de transport et de stockage.

5. MAINTENANCE ET ENTRETIEN

Effectuer un contrôle visuel après chaque utilisation. Vérifier la lubrification des pièces mobiles et des boulons après chaque utilisation et, si besoin, appliquer une couche supplémentaire de graisse homologuée. Vérifier également le couple du boulon central sur les cisailles et outils combinés. Pour ce faire, vérifier les spécifications indiquées dans les listes de pièces de rechange.

Éliminer les salissures avec un chiffon humide. L'appareil de sauvetage ne doit pas entrer en contact avec des acides ou des produits alcalins. Si cela est inévitable, nettoyez l'appareil immédiatement après.

Une révision annuelle des appareils doit être effectuée et doit être documentée. Cette révision annuelle doit être réalisée par un spécialiste.

Effectuer un test de fonctionnement et de charge tous les trois ans ou en cas de problème de sécurité. Seuls les moyens de contrôle approuvés par HURST doivent être utilisés. Veuillez également respecter les réglementations nationales et internationales en vigueur relatives aux intervalles de maintenance des appareils de sauvetage.

5.1 Réparation

Les réparations ne peuvent être effectuées que par HURST ou par une personne formée par HURST. Pour ce faire, respectez les informations indiquées dans les listes de pièces de rechange.

5.2 Garantie

Enregistrez systématiquement votre appareil sur le site Internet de la société HURST Jaws of Life. C'est cette inscription qui vous donne droit à une extension de garantie.

Si les défauts ne peuvent pas être réparés, contactez un revendeur HURST agréé ou le service après-vente HURST ! L'adresse se trouve à la dernière page de ce manuel.

5.3 Affûtage des lames

Éliminer et lisser uniquement les bavures présentes dans l'aire de travail (figure N) ! Les zones ébréchées ou profondément fêlées ne peuvent pas être raffûtées. Dans ce cas, il est nécessaire de remplacer les lames.

Outillage requis :

1. Dispositif de serrage (un étau par exemple) avec des mâchoires de protection.
2. Ponceuse (p. ex. meuleuse d'angle ou ponceuse à bande) avec un abrasif d'un grain approximatif de 80. Une lime diamantée est suffisante pour éliminer les petites bavures.

Procédure :

1. Fixez la lame dans le dispositif de serrage de manière à l'immobiliser tout en dégageant l'aire de travail (figure N).
2. Ébavurez avec précaution l'aire de travail (figure N) à l'aide de la ponceuse.

en

es

fr

pt

6. ANALYSE DES ANOMALIES

| Défaut | Contrôle | Cause | Solution |
|--|--|--|--|
| Le moteur ne démarre pas après actionnement de la poignée-étoile | L'interrupteur principal n'est pas allumé bien qu'il n'ait pas été désactivé | La poignée-étoile n'a pas été actionnée pendant un long moment (au moins 20 minutes) en mode de fonctionnement sur accu. L'accu s'est désactivé / éteint. | Pour pouvoir travailler à nouveau avec l'appareil, l'appareil eDRAULIC doit dans un premier temps être désactivé puis réactivé au niveau de l'interrupteur principal. Il est également possible d'actionner l'indicateur de capacité de l'accu ou d'extraire brièvement l'accu et de le réinsérer. |
| Les pistons du vérin ne bougent que lentement ou par à-coups lorsqu'ils sont actionnés | Accu complètement chargé ? | Accu vide | Charger l'accu |
| | | Accu défectueux | Remplacer l'accu |
| | | Présence d'air dans le système hydraulique | Suppression du défaut par un distributeur agréé, par le personnel formé par HURST ou directement par HURST |
| Les pistons du vérin ne se déplacent pas lorsqu'ils sont actionnés | Accu complètement chargé ? | Accu vide | Charger l'accu |
| | | Accu défectueux | Remplacer l'accu |
| | | Appareil défectueux | Suppression du défaut par un distributeur agréé, par le personnel formé par HURST ou directement par HURST |
| L'appareil ne fournit pas la puissance indiquée | | Appareil défectueux | Suppression du défaut par un distributeur agréé, par le personnel formé par HURST ou directement par HURST |

en

es

fr

pt

en

es

fr

pt

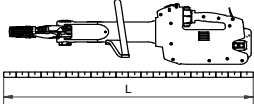
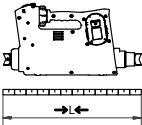
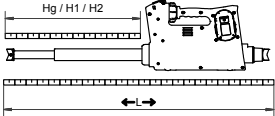
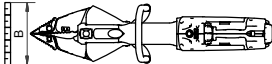
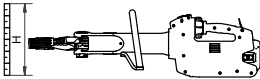
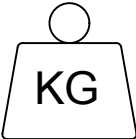

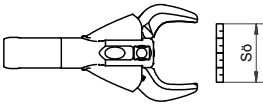
| | | | |
|--|---|---|--|
| Une fois relâchée, la poignée-étoile ne revient pas en position centrale | Boîtier endommagé ou poignée-étoile difficile à manipuler ? | Endommagement du ressort de torsion pour réinitialisation | Suppression du défaut par un distributeur agréé, par le personnel formé par HURST ou directement par HURST |
| | | Encrassement de la soupape ou de la poignée-étoile | |
| | | Valve défectueuse | |
| | | Autres endommagements mécaniques (par ex. poignée-étoile) | |
| Fuite du liquide hydraulique au niveau de la tige de piston | | Joint de tige défectueux | Suppression du défaut par un distributeur agréé, par le personnel formé par HURST ou directement par HURST |
| | | Piston endommagé | |
| Le temps de travail utilisable entre les différents cycles de charge est inférieur à 5 minutes malgré un chargement conforme aux prescriptions | | Accu défectueux | Remplacer l'accu |

7. EXPLICATION DES PICTOGRAMMES DANS LES TABLEAUX DE PERFORMANCE

Toutes les caractéristiques techniques sont soumises à des tolérances, c'est pourquoi il peut y avoir de faibles écarts entre les données du tableau et celles de votre appareil.

7.1 Caractéristiques techniques

Vous trouverez les caractéristiques techniques des appareils à partir de la page 60.

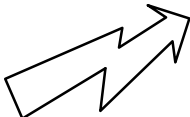

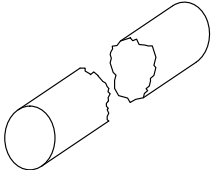
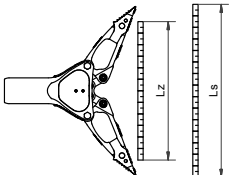
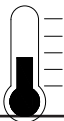
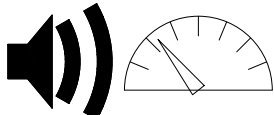
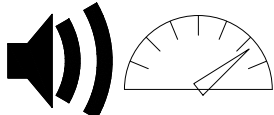
| Icône | Description | Remarque/ abréviation |
|---|---------------------------------|---|
|  | Longueur | (sans accu) |
|  | Longueur rétracté | →L← |
|  | Longueur déployé | ←L→ |
| | Course | Hg |
| | Course du piston 1 | H1 |
| | Course du piston 2 | H2 |
| | Force du piston 1 | HSF1 |
| | Force du piston 2 | HSF2 |
|  | Largeur | (sans accu) |
|  | Hauteur | |
|  | Poids | (sans accu) |
| | Poids avec accu |  |
|  | Ouverture min. de découpe | |
| | Ouverture de découpe suivant EN | |
| | Force de découpe max. | (extrémité arrière de la surface coupante) |

en

es

fr

pt

| | | |
|---|--|--|
|  | Tension nominale | U |
| | Consommation électrique à charge nominale | I |
|  | Classe de protection | |
|  | Ø ronds | |
| | Classe de coupe (EN 13204) | |
| | Classe de coupe (NFPA 1936) | |
|  | Largeur d'ouverture | Ls |
| | Force d'écartement | HSF/LSF |
| | Force d'écartement min. | min. Fs (à 25 mm des pointes) |
| | Force d'écartement max. | max. Fs *) valeur calculée |
| | Course de traction | Lz |
| | Force de traction | HPF/LPF |
| | Force de traction max. | max. Fz (avec jeu de chaînes associé) |
|  | Plage de température de fonctionnement | TB |
| | Plage de température de stockage | TL |
|  | Niveau de pression acoustique au ralenti | LpAL |
| | Niveau de puissance acoustique au ralenti | LWAL |
|  | Niveau de pression acoustique à pleine charge | LpAV |
| | Niveau de puissance acoustique à pleine charge | LWAV |

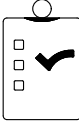
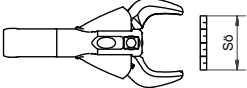
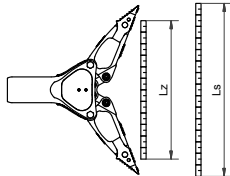
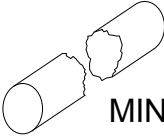
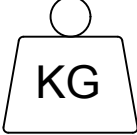
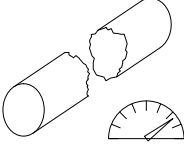


7.2 Oscillations/Vibrations

La valeur oscillatoire totale/valeur vibratoire à laquelle les membres supérieurs sont exposés est généralement inférieure à $2,5 \text{ m/s}^2$.

Des valeurs plus élevées peuvent être mesurées pendant de courtes périodes en raison de l'interaction avec les matériaux à traiter.

(Les oscillations/vibrations ont été déterminées conformément à la norme DIN EN ISO 20643).

7.3 Performances du produit




| | |
|---|---|
|  | Type |
|  | Ouverture max. de la cisaille [mm] |
|  | Force d'écartement [kN] |
| | Largeur d'écartement [mm] |
|  | Classification basée sur la performance minimale de la cisaille |
|  | Masse [kg] (à une décimale près) |
|  | Puissance de coupe |
|  | Ronds |
|  | Plats |

en

es

fr

pt

| | |
|---|--------------------|
|  | Tube rond |
|  | Tube carré |
|  | Tube rectangulaire |

8. ACCESSOIRES

8.1 Accus

Utiliser exclusivement des accus lithium-ion HURST pour faire fonctionner les appareils eDRAULIC. Respectez le manuel d'utilisation séparé de l'accu lithium-ion !

8.2 Chargeur d'accu

Utiliser exclusivement le chargeur « eDRAULIC Power Pack Charger » pour recharger les accus lithium-ion. Respectez le manuel d'utilisation séparé du chargeur.

8.3 Adaptateur secteur

Pour les appareils eDRAULIC, il existe un adaptateur secteur grâce auquel les appareils peuvent être branchés directement à l'alimentation secteur. Cet adaptateur transforme le courant alternatif en courant continu : il peut donc être utilisé à la place de l'accu. Respectez le manuel d'utilisation séparé de l'adaptateur secteur.

8.4 Jeux de chaînes

Des jeux de chaînes sont nécessaires pour effectuer des tractions avec les écarteurs et appareils combinés eDRAULIC (voir chapitre « Traction »). Respectez le manuel d'utilisation séparé des jeux de chaînes.

9. CONSIGNES DE MISE AU REBUT

Merci d'éliminer l'ensemble des matériaux d'emballage et des pièces retirées en conformité avec la réglementation en vigueur. Les appareils électriques, les accessoires et les emballages doivent faire l'objet d'un recyclage écologique.

Uniquement pour les pays de l'UE :

Ne jetez pas les appareils électriques aux ordures ménagères !

Conformément à la Directive Européenne 2002/96/UE relative aux appareils électriques et électroniques usagés et à son application dans le droit national, les appareils électriques usagés doivent être collectés séparément et doivent faire l'objet d'un recyclage écologique.

en

es

fr

pt

45

ÍNDICE

| | |
|---|----|
| 1. Utilização devida..... | 47 |
| 2. Segurança do produto e pictogramas..... | 47 |
| 3. Constituição dos equipamentos (Figura I e II)..... | 50 |
| 4. Utilização dos equipamentos..... | 50 |
| 4.1 Instalar a bateria recarregável | 50 |
| 4.2 Remover a bateria recarregável..... | 50 |
| 4.3 Consultar o estado da bateria recarregável | 50 |
| 4.4 Ligar e desligar..... | 50 |
| 4.5 Acionar válvula de pega em estrela | 51 |
| 4.5.1 Cortar | 51 |
| 4.5.2 Expandir | 51 |
| 4.5.3 Puxar | 51 |
| 4.5.4 Esmagar | 51 |
| 4.5.5 Descascar | 51 |
| 4.5.6 Pressionar | 51 |
| 4.6 Substituir pontas | 51 |
| 4.7 Desmontagem / imobilização após funcionamento..... | 51 |
| 5. Manutenção e tratamento..... | 52 |
| 5.1 Reparação..... | 52 |
| 5.2 Garantia | 52 |
| 5.3 Lixar as lâminas novamente | 52 |
| 6. Análise de falhas..... | 53 |
| 7. Explicação dos pictogramas para as tabelas de desempenho | 55 |
| 7.1 Dados técnicos..... | 55 |
| 7.2 Oscilações / vibrações | 57 |
| 7.3 Capacidade de desempenho do produto | 57 |
| 8. Acessórios | 58 |
| 8.1 Baterias recarregáveis | 58 |
| 8.2 Carregador da bateria sem recarregável | 58 |
| 8.3 Transformador..... | 58 |
| 8.4 Conjunto de correntes..... | 58 |
| 9. Instruções de eliminação..... | 58 |

en

es

fr

pt

1. UTILIZAÇÃO DEVIDA

O produto descrito é um equipamento de resgate eletro-hidráulico. Destina-se ao resgate de pessoas ou bens materiais na sequência de acidentes de viação, catástrofes naturais ou outras missões de resgate. Com o equipamento de resgate não podem ser realizadas nenhuma operação de elevação.

Apenas pode ser usado associado aos acessórios originais da HURST.

O fabricante não se responsabiliza por danos resultantes de uma utilização incorreta. O utilizador é o único responsável pela utilização devida.

2. SEGURANÇA DO PRODUTO E PICTOGRAMAS





A segurança do utilizador constitui o fator mais importante na conceção do produto. Para além disso o Manual de Instruções pretende ajudar na utilização sem risco dos produtos HURST.

Para além do Manual de Instruções, deverão ser observados e implementados todos os regulamentos de aplicação geral e legal obrigatórios relativos à prevenção de acidentes e à proteção do meio-ambiente.

O equipamento apenas pode ser usado por pessoas com formação relevante em termos de segurança, pois, caso contrário, existe o risco de perigo de ferimentos.

Alertamos todos os utilizadores para a necessidade de proceder à leitura completa e cuidada do Manual de Instruções antes da utilização do equipamento. Todas as instruções incluídas deverão ser observadas sem qualquer limitação.

Aconselhamos também, que receba instruções sobre a utilização do produto por parte de um formador qualificado.

| | |
|---|--|
|  | Tenha em atenção o manual de instruções da bateria recarregável de iões de lítio! Poderá encontrá-lo em www.akku-power.com |
| | Deverão ser respeitados os manuais de instruções dos acessórios! |
|  | Tenha em atenção que os acessórios utilizados devem estar configurados para a pressão de serviço máx. do equipamento de resgate. |
|  | Nunca trabalhe em estado de fadiga ou intoxicado! |
| | Utilize o equipamento exclusivamente como descrito no capítulo "Utilização devida". |
|  | Tenha atenção para que nenhuma parte do corpo ou peça de roupa fique entre as peças móveis do equipamento. |
| | Segure sempre o equipamento pelas pegadas ou pelo corpo. Não tocar no pistão do cilindro de resgate. |
|  | São proibidos trabalhos sob cargas, quando estas são suportadas exclusivamente por equipamentos hidráulicos ou eletro-hidráulicos. Se esse trabalho for indispensável, deverão ser providenciados os apoios mecânicos suficientes. |

en

es

fr

pt








47





en



es

fr

pt

| | |
|--|--|
|  | Use capacete! |
|  | Use proteção facial! |
|  | Use vestuário protetor! Para a proteção de ambiente de trabalho quente ou frio e para a proteção contra ferimentos por arestas vivas. |
|  | Use luvas de proteção! |
|  | Use calçado de segurança! |
|  | Use protetores auriculares caso tenha que trabalhar com ruído ambiente alto, o nível sonoro do equipamento não exige protetores auriculares. |
|  | Verifique o equipamento antes e depois da sua utilização quanto a deficiências ou danos visíveis. A válvula de pega em estrela deverá voltar sempre por si só à posição central. |
| | Alterações (incluindo alterações de funcionamento) deverão ser imediatamente comunicadas! Se necessário, parar e imobilizar de imediato o equipamento! |
| | Não realize nenhuma alteração (montagens e reconversões) no equipamento sem a autorização da HURST. |
| | Todas as instruções de segurança no/junto ao equipamento deverão ser mantidas na sua totalidade e em estado legível. |
| | É proibido qualquer modo de funcionamento que afeta a segurança e a estabilidade do equipamento. |
| | Os dispositivos de segurança não podem ser em caso algum colocados fora de serviço! |
| | Antes de ligar/acionar e durante o funcionamento do equipamento, deverá ser assegurado que ninguém é colocado em perigo devido ao funcionamento do equipamento. |

| | |
|--|--|
| | <p>As reparações apenas podem ser realizadas por um técnico de assistência com formação.</p> <p>Apenas podem ser usados acessórios HURST e peças sobressalentes originais.</p> <p>Nos trabalhos com o equipamento tenha em atenção que o material pode ser degastado, arrancado ou partido e desse modo cair ou ser projetado.</p> <p>Respeite todos os prazos de testes e inspeções periódicas, tal como descritos no capítulo Manutenção e tratamento.</p> <p>Os equipamentos eDRAULIC e baterias recarregáveis destinam-se a ser usados em operações submersíveis.</p> <p>Os líquidos hidráulicos podem afetar a saúde, quando são ingeridos ou inspirados. O contacto direto com a pele deve ser evitado. Ao lidar com líquidos hidráulicos deverá ter-se em atenção, que os sistemas biológicos são afetados de modo negativo.</p> <p>Pernos de imobilização móveis, p. ex. para pontas de troca rápida, devem ser sempre completamente encaixados e trancados.</p> <p>Na utilização de conjuntos de correntes deverá ser dada atenção para que as correntes sejam aplicadas de modo retilíneo e que não existam nós na corrente.</p> |
|  | <p>Em trabalhos nas proximidades de componentes condutores de corrente elétrica deverão ser evitadas as descargas elétricas de alta tensão e a passagem de corrente para o equipamento.</p> <p>Evite o carregamento eletrostáticos do equipamento.</p> |
|  | <p>Os equipamentos HURST eDRAULIC não estão protegidos contra a explosão! A utilização em áreas com risco de explosão é proibida.</p> |
|  | <p>Tenha atenção para que nos trabalhos com o equipamento ou no seu transporte não fique preso ou tropece em laços de cabos.</p> <p>Assegure-se que existe uma iluminação suficiente no local de utilização e no trajeto até ao mesmo.</p> |
|  | <p>A caixa das baterias recarregáveis não pode ser danificada ou sujeita a cargas mecânicas, o que poderá danificar as células no seu interior.</p> <p>Evite a descarga completa da bateria recarregável.</p> <p>Evite um curto-circuito dos pólos através de materiais condutores como a água, óleo ou objetos metálicos.</p> <p>Coloque a bateria recarregável no carregador apenas quando este estiver seco, seque primeiro as baterias molhadas.</p> |

| | |
|---|--|
| | Não volte a utilizar a bateria recarregável quando esta indica um código de erro, contacte o seu fornecedor! |
|  | Guarde o presente Manual de Instruções sempre ao alcance no local de utilização nas proximidades do equipamento. |
| | Os equipamentos eDRAULIC têm a classe de proteção IP54. Podem ser usados mesmo em condições atmosféricas de humidade e estão protegidos contra salpicos. e. |
| | Nos trabalhos com o equipamento e no seu armazenamento deverá ser assegurado que o seu funcionamento e a segurança não são afetados por efeitos de temperatura elevada ou que o equipamento não é danificado. Tenha em consideração, que o equipamento pode aquecer quando é utilizado de modo prolongado. |
| | Controle sempre antes do transporte se o equipamento e os acessórios estão acondicionados de modo seguro. |
|  | Elimine todas as peças desmontadas, os líquidos hidráulicos e os materiais de embalagem de modo correto. |

3. CONSTITUIÇÃO DOS EQUIPAMENTOS (FIGURA I E II)

- 1 Interruptor geral
- 2 Válvula de pega em estrela
- 3 Bateria recarregável
- 4 Ferramenta
- 5 Pontas substituíveis
- 6 Furo de tração

4. UTILIZAÇÃO DOS EQUIPAMENTOS

4.1 Instalar a bateria recarregável

Introduzir a bateria recarregável a direito no respetivo compartimento até ficar trancada (Figura A.)

4.2 Remover a bateria recarregável

Abrir o trinco e remover a bateria recarregável (Figura B.)

4.3 Consultar o estado da bateria recarregável

Acionar o botão de consulta da bateria recarregável (Figura M.)

4.4 Ligar e desligar

para ligar e desligar acionar o interruptor geral (Figura I.) O estado de prontidão é indicado pelo interruptor geral iluminado e pela iluminação da área de trabalho.

4.5 Acionar válvula de pega em estrela

O movimento de trabalho é acionado pelo rodar na válvula de pega em estrela. (Figura C.) Todos os equipamentos de resgate estão equipados com uma função de homem morto. Depois de se soltar a pega em estrela, esta volta automaticamente para a posição central. A função de retenção de carga fica então imediatamente disponível.

4.5.1 Cortar

Rodar a válvula de pega em estrela na direção cortar. (Figura D.)

Aplicar o cortador no material a cortar o mais possível na perpendicular (Figura E), cortar próximo do ponto de rotação da lâmina (Figura F.).

4.5.2 Expandir

Rodar a válvula de pega em estrela na direção expandir (Figura G.)

Aumentar inicialmente a pequena fenda, de seguida inserir o mais possível as pontas de expansão na fenda, não expandir com os braços em alumínio! (Figura H.)

4.5.3 Puxar

Fixar o equipamento de tração no furo de tração (6). Acionar a válvula de pega em estrela na direção fechar. (Figura D.)

4.5.4 Esmagar

Esmagar apenas na área de esmagamento e com as placas de esmagamento dos braços do expansor (Figura J.) Acionar a válvula de pega em estrela na direção fechar. (Figura D.)

4.5.5 Descascar

Para descascar são necessárias pontas especiais de descascamento (Figura K.) Acionar a válvula de pega em estrela na direção abrir. (Figura G.)

4.5.6 Pressionar

Aplicar os cilindros de resgate entre o objeto a pressionar, acionar a válvula de pega em estrela na direção expandir. (Figura L.)

4.6 Substituir pontas

As pontas substituíveis estão ligadas aos braços do equipamento através de pernos. Os pernos deverão ser totalmente introduzidos para a sua substituição e de seguida novamente trancadas por completo. (Figura N.)

4.7 Desmontagem / imobilização após funcionamento

Após a conclusão dos trabalhos, os braços do equipamento deverão ser fechados até terem uma distância pequena de poucos mm entre as pontas, ou os êmbolos dos cilindros recolhidos e novamente extraídos alguns mm. Deste modo todo o equipamento é sofre uma descarga hidráulica e mecânica. Fixe o equipamento para o transporte e para o armazenamento nos suportes previstos para o efeito.

5. MANUTENÇÃO E TRATAMENTO

Após cada utilização deverá ser realizada uma inspeção visual. Após cada solicitação é necessário controlar a lubrificação de cada uma das peças móveis e dos pernos e, se necessário, relubrificar com uma massa lubrificante aprovada. Do mesmo modo deverá ser controlado o binário do perno central em equipamentos de corte e combinados, observando para o efeito as indicações nas listas de sobressalentes.

Sujidades deverão ser removidas com um pano húmido. O equipamento de resgate não deve entrar em contacto com ácidos ou soluções alcalinas. Se tal for inevitável, limpe imediatamente o equipamento após a sua utilização.

Uma vez por ano deve ser realizada a inspeção anual do equipamento, que deverá ser documentada. Esta inspeção anual deverá ser realizada por um técnico experimentado.

A cada três anos ou sempre que exista dúvidas sobre a segurança, deve ser realizada uma inspeção funcional e sob carga. Apenas podem ser usados meios de inspeção aprovados pela HURST. Para o efeito, tenha em atenção as normas nacionais e internacionais em vigor e aplicáveis no que se refere aos intervalos entre manutenções de equipamentos de resgate.

5.1 Reparação

As reparações apenas podem ser realizadas pela HURST ou por um técnico formado pela HURST. Para o efeito observe as instruções nas listas de sobressalentes.

5.2 Garantia

Registe por princípio o seu equipamento na página de Internet da HURST Jaws of Life. Só assim terá direito a um serviço de garantia prolongado.

No caso das falhas não serem reparáveis, deverá ser contactado um vendedor HURST ou o Serviço ao cliente da HURST! O endereço encontra-se na última página das instruções.

5.3 Lixar as lâminas novamente

Só pode ser removida e alisada a formação de saliências eventualmente existentes na área de lixamento (figura N.!) Ruturas ou fendas profundas já não podem ser lixadas novamente. Neste caso, as lâminas devem ser substituídas.

Ferramentas necessárias:

1. Dispositivo de fixação (p. ex. torno de aperto) com mandíbulas de proteção.
2. Máquina de lixar (p. ex. Flex ou lixadora de banda larga) com um produto de lixamento que apresenta aprox. a granulação 80. Uma lima de diamante é suficiente no caso da formação de pequenas saliências.

Procedimento:

1. Fixe a lâmina no dispositivo de fixação, de forma a que a mesma não se possa mover, mas a que a área de lixamento (figura N.) permaneça livre.
2. Lixe as saliências da área de lixamento cuidadosamente com a máquina de lixar (figura N.).

en

es

fr

pt

6. ANÁLISE DE FALHAS

| Erro | Controlo | Causa | Solução |
|--|---|--|--|
| O motor não pega após se acionar a pega em estrela | O interruptor geral não está iluminado, embora não tenha sido desligado | A pega em estrela não foi acionada durante um tempo prolongado com a bateria a funcionar (no mín. 20 minutos). A bateria recarregável desligou-se | Para se poder voltar a trabalhar com o equipamento, é necessário desligar primeiro o equipamento eDRAULIC no interruptor geral e voltar a ligá-lo novamente. Em alternativa também é possível acionar para o efeito o indicador de capacidade, ou desencaixar e voltar a encaixar brevemente a bateria recarregável |
| Os êmbolos do cilindro movem-se lentamente ou de modo abrupto quando acionados | Bateria recarregável está totalmente carregada? | Bateria descarregada | Carregar bateria |
| | | Bateria recarregável com defeito | Substituir bateria |
| | | Ar no sistema hidráulico | Resolução da falha por um agente autorizado e acreditado pela HURST, ou diretamente pela HURST |
| Êmbolos dos cilindros não se movem quando acionados | Bateria recarregável está totalmente carregada? | Bateria descarregada | Carregar bateria |
| | | Bateria recarregável com defeito | Substituir bateria |
| | | Equipamento com defeito | Resolução da falha por um agente autorizado e acreditado pela HURST, ou diretamente pela HURST |

en

es

fr

pt

en

es

fr

| | | | |
|---|---|--|--|
| Equipamento não debita a força indicada | | Equipamento com defeito | Resolução da falha por um agente autorizado e acreditado pela HURST, ou diretamente pela HURST |
| Depois de se soltar a pega em estrela não volta para a posição central | A caixa está danificada ou o acionamento da pega em estrela está perra? | Danos da mola helicoidal de flexão para o reposicionamento | Resolução da falha por um agente autorizado e acreditado pela HURST, ou diretamente pela HURST |
| | | Sujidade da válvula ou pega em estrela | |
| | | Válvula com defeito | |
| | | Outros danos mecânicos (p. ex. pega em estrela) | |
| Saída do líquido hidráulico na biela | | Vedante da biela com defeito | Resolução da falha por um agente autorizado e acreditado pela HURST, ou diretamente pela HURST |
| | | Êmbolo danificado | |
| O tempo de serviço útil entre os vários ciclos de carga é, apesar de carga conforme as normas, inferior a 5 minutos | | Bateria recarregável com defeito | Substituir bateria recarregável |

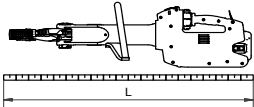
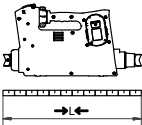
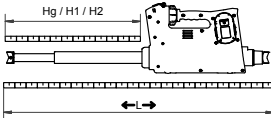
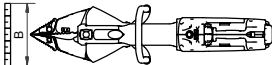
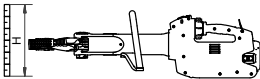


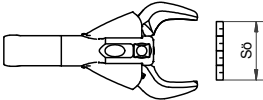
pt

7. EXPLICAÇÃO DOS PICTOGRAMAS PARA AS TABELAS DE DESEMPENHO

Todos os dados técnicos estão sujeitos a tolerâncias, e por esse motivo é possível que existam ligeiras divergências entre os dados na tabela e os do seu equipamento.

7.1 Dados técnicos

Os dados técnicos dos equipamentos podem ser consultados a partir da página 60.

| Símbolo | Descrição | Observação/ Abreviatura |
|---|-------------------------------|---|
|  | Comprimento | (sem bateria recarregável) |
|  | Comprimento recolhido | →L← |
|  | Comprimento extraído | ←L→ |
| | Curso | Hg |
| | Curso Êmbolo 1 | H1 |
| | Curso Êmbolo 2 | H2 |
| | Força Êmbolo 1 | HSF1 |
| Força Êmbolo 2 | HSF2 | |
|  | Largura | (sem bateria recarregável) |
|  | Altura | |
|  | Peso | (sem bateria recarregável) |
| | Peso com bateria recarregável |  |
|  | mín. abertura de corte | |
| | Abertura de corte conforme EN | |
| | máx. força de corte | (ponto de corte mais traseiro) |

en

es

fr

pt

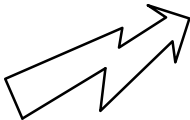

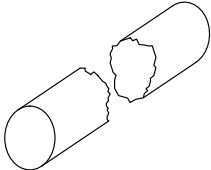
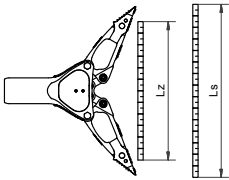

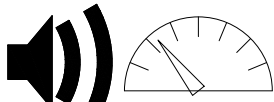

55

en

es

fr

pt

| | | |
|---|---|---|
|  | Tensão nominal | U |
| | Consumo de corrente à carga nominal | I |
|  | Classe de proteção | |
|  | Ø Material redondo | |
| | Classe de corte (EN 13204) | |
| | Classe de corte (NFPA 1936) | |
|  | Largura de abertura | Ls |
| | Força de expansão | HSF/LSF |
| | mín. força de expansão | mín. Fs (25mm afastado das pontas) |
| | máx. força de expansão | máx. Fs) determinado por cálculo |
| | Curso de tração | Lz |
| | Força de tração | HPF/LPF |
| | máx. força de tração | máx. Fz (com o respetivo conjunto de corrente) |
| |  | Escala de temperatura em serviço |
| Escala de temperatura de armazém | | TL |
|  | Nível de pressão sonora ao ralenti | LpAL |
| | Nível de potência acústica ao ralenti | LWAL |
|  | Nível de pressão sonora em carga plena | LpAV |
| | Nível de potência acústica em carga plena | LWAV |


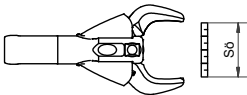
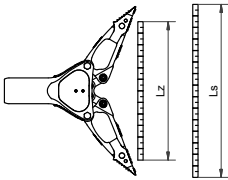
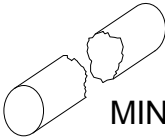
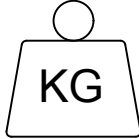
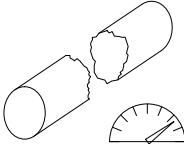


7.2 Oscilações / vibrações




O valor total de oscilações / valor de vibrações, a que os membros superiores estão expostos, situa-se por regra abaixo dos 2,5 m/s².

Na sequência de efeitos de troca com materiais a processar podem, no entanto, surgir momentaneamente valores mais altos.

(As oscilações / vibrações foram determinadas recorrendo-se à DIN EN ISO 20643.)

7.3 Capacidade de desempenho do produto

| | |
|---|---|
|  | Modelo |
|  | Abertura do equipamento de corte [mm] |
|  | Força de expansão [kN] |
| | Largura de expansão [mm] |
|  | Classificação com base na potência mínima do cortador |
|  | Massa [kg] (com precisão à casa decimal) |
|  | Potência cortador |
|  | Material redondo |
|  | Material plano |

| | |
|---|-----------------|
|  | Tubo redondo |
|  | Tubo quadrado |
|  | Tubo retangular |

8. ACESSÓRIOS

8.1 Baterias recarregáveis

Para o funcionamento dos equipamentos eDRAULIC deverão ser usadas exclusivamente baterias recarregáveis de íões de lítio da HURST. Tenha em atenção o manual de instruções em separado da bateria recarregável de íões de lítio!

8.2 Carregador da bateria sem recarregável

Para as baterias recarregáveis de íões de lítio apenas se pode utilizar o carregador "eDRAULIC Power Pack Charger". Tenha em atenção o manual de instruções em separado do carregador.

8.3 Transformador

Para os equipamentos eDRAULIC existe um transformador com o qual é possível ligar os equipamentos diretamente à rede elétrica. O transformador converte a tensão alternada em tensão contínua, podendo assim ser usada em vez da bateria recarregável. Tenha em atenção o manual de instruções em separado do transformador.

8.4 Conjunto de correntes

Para executar com os expansores eDRAULIC e equipamentos combinados operações de tração, deverão ser usados conjuntos de correntes (ver capítulo "Puxar"). Tenha em atenção o Manual de Instruções em separado dos conjuntos de correntes.

9. INSTRUÇÕES DE ELIMINAÇÃO

Elimine todos os materiais de embalagem e as peças desmontadas de forma correta. Os equipamentos eletrónicos e as embalagens deverão ser encaminhados para um centro de reciclagem adequado.

Apenas para países da UE:

Não deite nenhum eletrodoméstico no lixo doméstico!

Segundo a Diretiva Europeia 2002/96/CE sobre equipamentos elétricos e eletrónicos usados e a sua implementação na legislação nacional, equipamentos elétricos que deixaram de ser utilizáveis devem ser recolhidos em separado e encaminhados para um centro de reciclagem adequado.

en

es

fr

pt

59

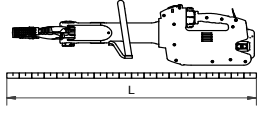
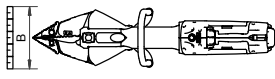
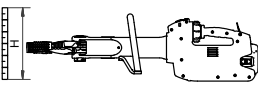
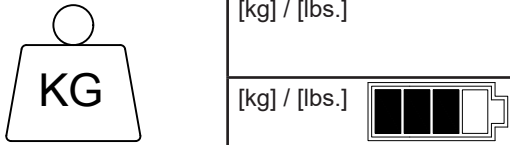
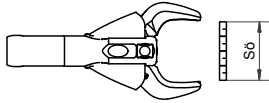
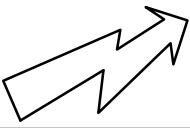

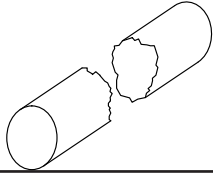

S 377 E2

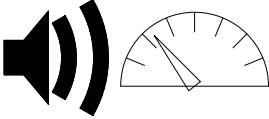
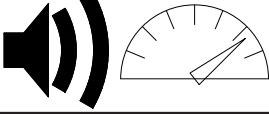
en

es

fr

pt

| | | |
|---|-----------------|----------------|
|  | [mm] / [in.] | 934 / 36.8 |
|  | [mm] / [in.] | 237 / 9.33 |
|  | [mm] / [in.] | 281 / 11.1 |
|  | [kg] / [lbs.] | 19,3 / 42.6 |
| | [kg] / [lbs.] | 20,2 / 44.5 |
|  | [mm] / [in.] | 206 / 8.11 |
| | EN [mm] / [in.] | 180 / 7.09 |
|  | U [V DC] | 25 |
| | I [A] | 40 |
|  | IP | 54 |
|  | [mm] / [in.] | Ø 33 / 1.3 |
| | EN 13204 | I |
| | NFPA 1936 | A7/B8/C7/D7/E8 |
|  | TB [°C] | -20... +55 |
| | TB [°F] | -4... +131 |
| | TL [°C] | -30... +60 |
| | TB [°F] | -22... +140 |

| | | |
|--|--------------|----|
|  | EN [dB(A)] | 74 |
| | NFPA [dB(A)] | 69 |
|  | EN [dB(A)] | 77 |
| | NFPA [dB(A)] | 71 |

en

es

fr

pt

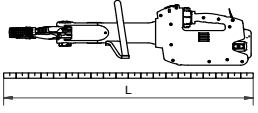
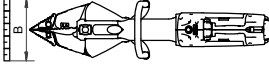
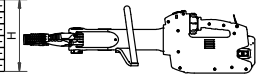
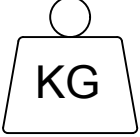

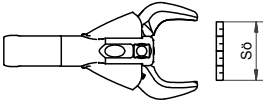
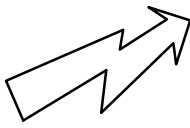

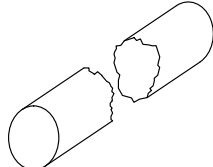

S 788 E2

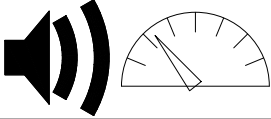
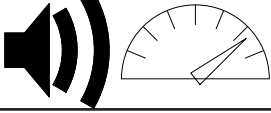
en

es

fr

pt

| | | |
|---|---|-------------------|
|  | [mm] / [in.] | 988 / 38.9 |
|  | [mm] / [in.] | 266 / 10.5 |
|  | [mm] / [in.] | 281 / 11.1 |
|  | [kg] / [lbs.] | 22,7 / 50 |
| | [kg] / [lbs.]  | 23,6 / 52 |
|  | [mm] / [in.] | 200 / 7.87 |
| | EN [mm] / [in.] | 200 / 7.87 |
|  | U [V DC] | 25 |
| | I [A] | 40 |
|  | IP | 54 |
|  | [mm] / [in.] | Ø 42 / 1.65 |
| | EN 13204 | K |
| | NFFPA 1936 | A8/B9/C8/D9/E9/F4 |
|  | TB [°C] | -20... +55 |
| | TB [°F] | -4... +131 |
| | TL [°C] | -30... +60 |
| | TB [°F] | -22... +140 |

| | | |
|--|--------------|----|
|  | EN [dB(A)] | 74 |
| | NFPA [dB(A)] | 69 |
|  | EN [dB(A)] | 77 |
| | NFPA [dB(A)] | 71 |

en

es

fr

pt

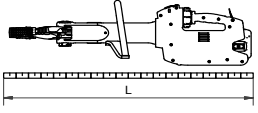
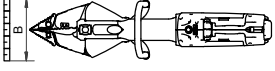
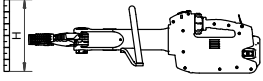
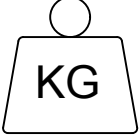

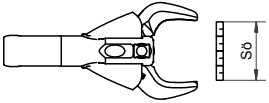
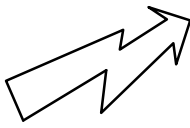

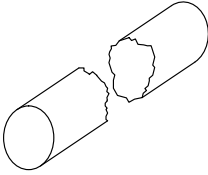

S 789 E2

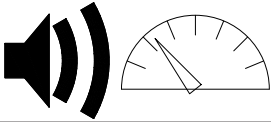
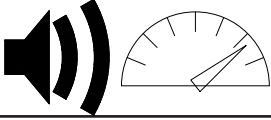
en

es

fr

pt

| | | |
|---|---|-------------------|
|  | [mm] / [in.] | 991 / 39.0 |
|  | [mm] / [in.] | 266 / 10.5 |
|  | [mm] / [in.] | 281 / 11.1 |
|  | [kg] / [lbs.] | 22,9 / 50.5 |
| | [kg] / [lbs.]  | 23,8 / 52.5 |
|  | [mm] / [in.] | 205 / 8.07 |
| | EN [mm] / [in.] | 205 / 8.07 |
|  | U [V DC] | 25 |
| | I [A] | 40 |
|  | IP | 54 |
|  | [mm] / [in.] | Ø 42 / 1.65 |
| | NFPA 1936 | A8/B9/C7/D9/E9/F4 |
|  | TB [°C] | -20... +55 |
| | TB [°F] | -4... +131 |
| | TL [°C] | -30... +60 |
| | TB [°F] | -22... +140 |

| | | |
|--|--------------|----|
|  | EN [dB(A)] | 74 |
| | NFPA [dB(A)] | 69 |
|  | EN [dB(A)] | 77 |
| | NFPA [dB(A)] | 71 |

en

es

fr

pt

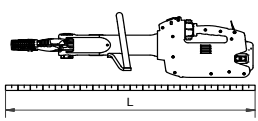
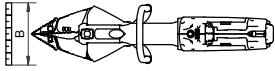
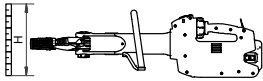
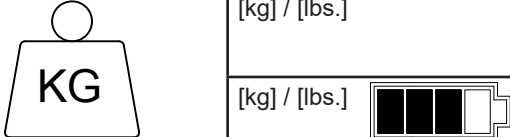
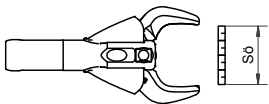
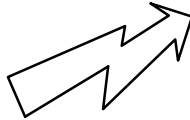

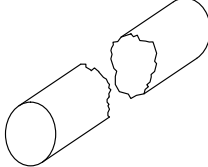

S 799 E2

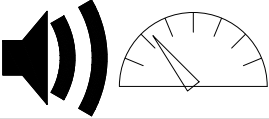
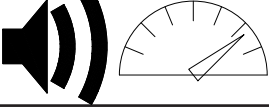
en

es

fr

pt

| | | |
|---|-----------------|-------------------|
|  | [mm] / [in.] | 1010 / 39.8 |
|  | [mm] / [in.] | 269 / 10.6 |
|  | [mm] / [in.] | 281 / 11.1 |
|  | [kg] / [lbs.] | 25,3 / 55.8 |
| | [kg] / [lbs.] | 26,2 / 57.7 |
|  | [mm] / [in.] | 204 / 8.03 |
| | EN [mm] / [in.] | 200 / 7.87 |
|  | U [V DC] | 25 |
| | I [A] | 40 |
|  | IP | 54 |
|  | [mm] / [in.] | Ø 45 / 1.77 |
| | EN 13204 | K |
| | NFPA 1936 | A8/B9/C9/D9/E9/F5 |
|  | TB [°C] | -20... +55 |
| | TB [°F] | -4... +131 |
| | TL [°C] | -30... +60 |
| | TB [°F] | -22... +140 |

| | | |
|--|--------------|----|
|  | EN [dB(A)] | 74 |
| | NFPA [dB(A)] | 69 |
|  | EN [dB(A)] | 77 |
| | NFPA [dB(A)] | 71 |

en

es

fr

pt

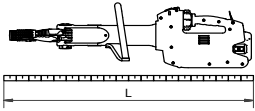
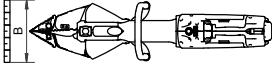
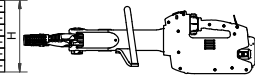
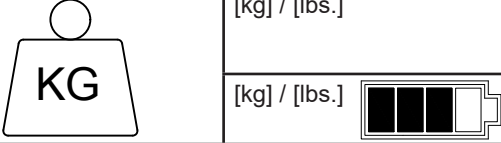
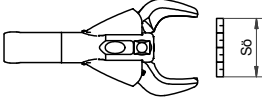
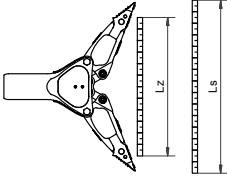
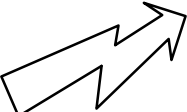

SC 258 E2

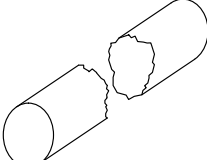

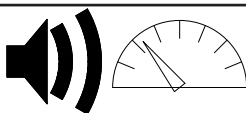
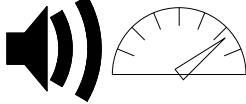
en

es

fr

pt

| | | |
|---|-------------------------|-----------------------|
|  | [mm] / [in.] | 874 / 34.4 |
|  | [mm] / [in.] | 215 / 8.5 |
|  | [mm] / [in.] | 281 / 11.1 |
|  | [kg] / [lbs.] | 14,9 / 32.8 |
| | [kg] / [lbs.] | 15,8 / 34.8 |
|  | [mm] / [in.] | 233 / 9.2 |
| | [kN] / [lbf.] | 280 / 63000 |
|  | Ls [mm] / [in.] | 321 / 12.6 |
| | HSF - LSF [kN] / [lbf.] | 29 / 6500 - 24 / 5400 |
| | min. Fs [kN] / [lbf.] | 32 / 7200 |
| | max. Fs [kN] / [lbf.] | 700 / 157000 |
| | Lz [mm] / [in.] | 330 / 13 |
| | HPF - LPF [kN] / [lbf.] | 37 / 8320 - 28 / 6300 |
|  | U [V DC] | 25 |
| | I [A] | 40 |
|  | IP | 54 |

| | | |
|---|--------------|-------------------|
|  | [mm] / [in.] | Ø 26 / 1.02 |
| | EN 13204 | F |
| | NFPA 1936 | A6/B6/C6/D7/E7/F4 |
|  | TB [°C] | -20... +55 |
| | TB [°F] | -4... +131 |
| | TL [°C] | -30... +60 |
| | TB [°F] | -22... +140 |
|  | EN [dB(A)] | 74 |
| | NFPA [dB(A)] | 69 |
|  | EN [dB(A)] | 77 |
| | NFPA [dB(A)] | 71 |

en

es

fr

pt

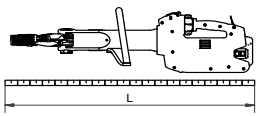
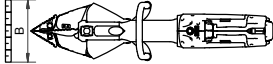
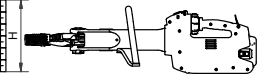
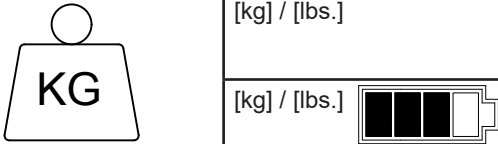
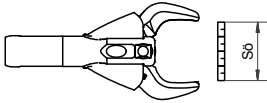
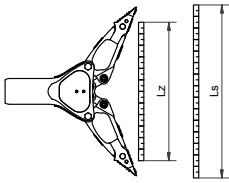
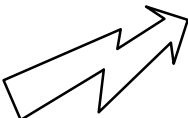

SC 358 E2

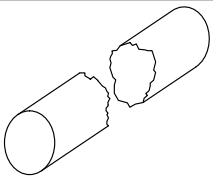

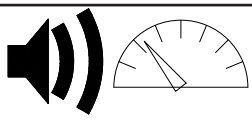
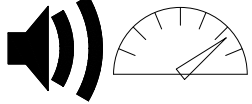
en

es

fr

pt

| | | |
|---|-------------------------|------------------------|
|  | [mm] / [in.] | 956 / 37.7 |
|  | [mm] / [in.] | 237 / 9.3 |
|  | [mm] / [in.] | 278 / 10.9 |
|  | [kg] / [lbs.] | 18,8 / 41.5 |
| | [kg] / [lbs.] | 19,7 / 43,4 |
|  | [mm] / [in.] | 309 / 12.2 |
| | [kN] / [lbf.] | 492 / 19.4 |
|  | Ls [mm] / [in.] | 368 / 14.5 |
| | HSF - LSF [kN] / [lbf.] | 43 / 9667 - 33 / 7419 |
| | min. Fs [kN] / [lbf.] | 38 / 8543 |
| | max. Fs [kN] / [lbf.] | 1500 / 337230 |
| | Lz [mm] / [in.] | 382 / 15 |
| | HPF - LPF [kN] / [lbf.] | 62 / 13940 - 43 / 9667 |
|  | U [V DC] | 25 |
| | I [A] | 40 |
|  | IP | 54 |

| | | |
|---|--------------|-------------------|
|  | [mm] / [in.] | Ø 35 / 1.38 |
| | EN 13204 | I |
| | NFPA 1936 | A7/B8/C7/D8/E7/F4 |
|  | TB [°C] | -20... +55 |
| | TB [°F] | -4... +131 |
| | TL [°C] | -30... +60 |
| | TB [°F] | -22... +140 |
|  | EN [dB(A)] | 74 |
| | NFPA [dB(A)] | 69 |
|  | EN [dB(A)] | 77 |
| | NFPA [dB(A)] | 71 |

en

es

fr

pt

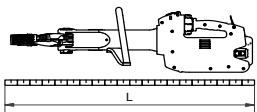
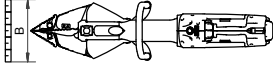
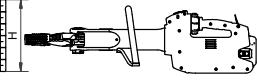
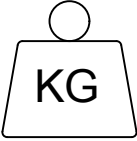

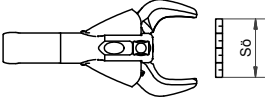
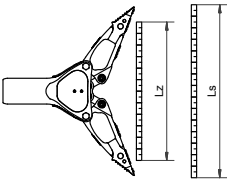
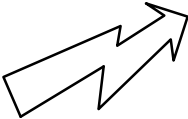

SC 758 E2

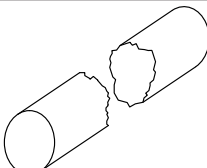

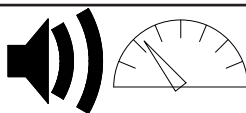
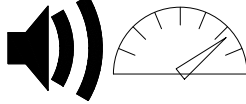
en

es

fr

pt

| | | |
|---|---|-------------------------|
|  | [mm] / [in.] | 1065 / 41.9 |
|  | [mm] / [in.] | 275 / 10.8 |
|  | [mm] / [in.] | 284 / 11.2 |
|  | [kg] / [lbs.] | 24,6 / 54.2 |
| | [kg] / [lbs.]  | 25,5 / 56.2 |
|  | [mm] / [in.] | 400 / 15.7 |
| | [kN] / [lbf.] | 885 / 198955 |
|  | Ls [mm] / [in.] | 475 / 18.7 |
| | HSF - LSF [kN] / [lbf.] | 49 / 11016 - 38 / 8543 |
| | min. Fs [kN] / [lbf.] | 43 / 9667 |
| | max. Fs [kN] / [lbf.] | 1500 / 337213 |
| | Lz [mm] / [in.] | 340 / 13.4 |
| | HPF - LPF [kN] / [lbf.] | 69 / 15512 - 52 / 11690 |
|  | U [V DC] | 25 |
| | I [A] | 40 |
|  | IP | 54 |

| | | |
|---|--------------|-------------------|
|  | [mm] / [in.] | Ø 40 / 1.57 |
| | EN 13204 | J |
| | NFPA 1936 | A8/B9/C9/D9/E9/F5 |
|  | TB [°C] | -20... +55 |
| | TB [°F] | -4... +131 |
| | TL [°C] | -30... +60 |
| | TB [°F] | -22... +140 |
|  | EN [dB(A)] | 74 |
| | NFPA [dB(A)] | 69 |
|  | EN [dB(A)] | 77 |
| | NFPA [dB(A)] | 71 |

en

es

fr

pt

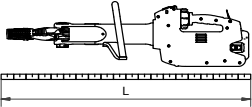
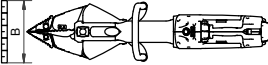
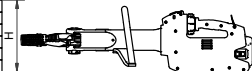


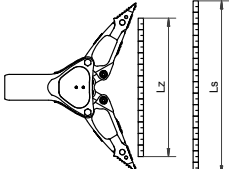


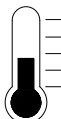
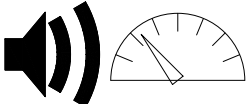
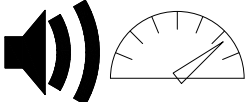
SP 333 E2

en

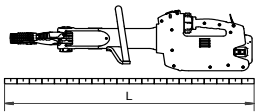
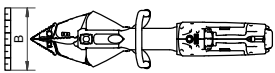
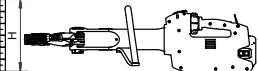


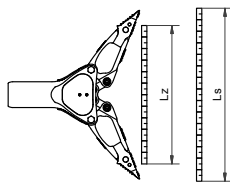
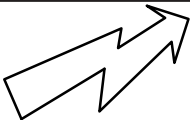


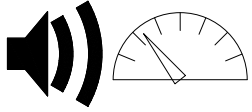
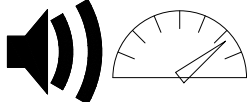
es

fr

pt

| | | |
|---|---|------------------------|
|  | [mm] / [in.] | 905 / 35.6 |
|  | [mm] / [in.] | 256 / 10.1 |
|  | [mm] / [in.] | 292 / 11.5 |
|  | [kg] / [lbs.] | 17,3 / 38.1 |
| | [kg] / [lbs.]  | 18,2 / 40.1 |
|  | Ls [mm] / [in.] | 600 / 23.6 |
| | HSF - LSF [kN] / [lbf.] | 63 / 14162 - 39 / 8768 |
| | min. Fs [kN] / [lbf.] | 42 / 9442 |
| | max. Fs [kN] / [lbf.] | 836 *) / 187940 *) |
| | Lz [mm] / [in.] | 440 / 17.3 |
| | HPF - LPF [kN] / [lbf.] | 43 / 9667 - 23 / 5171 |
| | max. Fz [kN] / [lbf.] | 56 / 12589 |
|  | U [V DC] | 25 |
| | I [A] | 40 |
|  | IP | 54 |
|  | TB [°C] | -20... +55 |
| | TB [°F] | -4... +131 |
| | TL [°C] | -30... +60 |
| | TB [°F] | -22... +140 |
|  | EN [dB(A)] | 74 |
| | NFPA [dB(A)] | 69 |
|  | EN [dB(A)] | 77 |
| | NFPA [dB(A)] | 71 |

SP 555 E2

| | | |
|---|---|-------------------------|
|  | [mm] / [in.] | 1002 / 39.4 |
|  | [mm] / [in.] | 265 / 10.4 |
|  | [mm] / [in.] | 287 / 11.3 |
|  | [kg] / [lbs.] | 20 / 44.1 |
| | [kg] / [lbs.]  | 20,9 / 46.1 |
|  | Ls [mm] / [in.] | 730 / 28.7 |
| | HSF - LSF [kN] / [lbf.] | 72 / 16186 - 49 / 11016 |
| | min. Fs [kN] / [lbf.] | 52 / 11690 |
| | max. Fs [kN] / [lbf.] | 658 *) / 147924 *) |
| | Lz [mm] / [in.] | 569 / 22.4 |
| | HPF - LPF [kN] / [lbf.] | 46 / 10341 - 28 / 6295 |
| | max. Fz [kN] / [lbf.] | 58 / 13039 |
|  | U [V DC] | 25 |
| | I [A] | 40 |
|  | IP | 54 |
|  | TB [°C] | -20... +55 |
| | TB [°F] | -4... +131 |
| | TL [°C] | -30... +60 |
| | TB [°F] | -22... +140 |
|  | EN [dB(A)] | 74 |
| | NFPA [dB(A)] | 69 |
|  | EN [dB(A)] | 77 |
| | NFPA [dB(A)] | 71 |

en

es

fr

pt

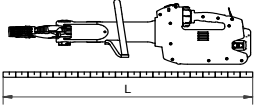
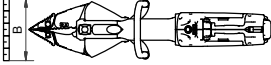
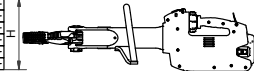


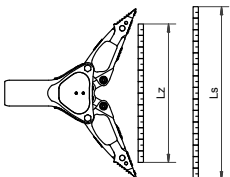



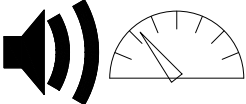
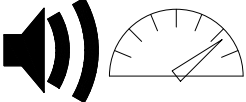
SP 777 E2

en

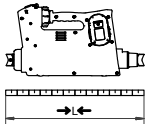
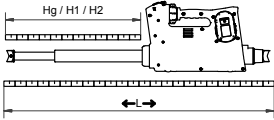
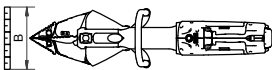
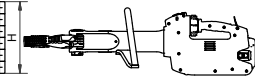





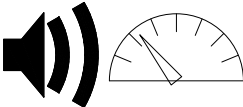

es

fr

pt

| | | |
|---|---|-------------------------|
|  | [mm] / [in.] | 1080 / 42.5 |
|  | [mm] / [in.] | 309 / 12.2 |
|  | [mm] / [in.] | 285 / 11.2 |
|  | [kg] / [lbs.] | 23,6 / 52 |
| | [kg] / [lbs.]  | 24,5 / 54 |
|  | Ls [mm] / [in.] | 813 / 32.0 |
| | HSF - LSF [kN] / [lbf.] | 85 / 19110 - 59 / 13260 |
| | min. Fs [kN] / [lbf.] | 63 / 14160 |
| | max. Fs [kN] / [lbf.] | 600 *) / 134900 *) |
| | Lz [mm] / [in.] | 655 / 25.8 |
| | HPF - LPF [kN] / [lbf.] | 49 / 11016 - 30 / 6744 |
| | max. Fz [kN] / [lbf.] | 60 / 13490 |
|  | U [V DC] | 25 |
| | I [A] | 40 |
|  | IP | 54 |
|  | TB [°C] | -20... +55 |
| | TB [°F] | -4... +131 |
| | TL [°C] | -30... +60 |
| | TB [°F] | -22... +140 |
|  | EN [dB(A)] | 74 |
| | NFPA [dB(A)] | 69 |
|  | EN [dB(A)] | 77 |
| | NFPA [dB(A)] | 71 |

R 410 E2

| | | |
|--|---|-------------|
|  | →L← [mm] / [in.] | 539 / 21.2 |
|  | ←L→ [mm] / [in.] | 912 / 35.9 |
| | Hg [mm] / [in.] | 373 / 14.6 |
| | HSF1 [kN] / [lbf.] | 127 / 28600 |
|  | [mm] / [in.] | 135 / 5.31 |
|  | [mm] / [in.] | 313 / 12.3 |
|  | [kg] / [lbs.] | 16,4 / 36.2 |
| | [kg] / [lbs.]  | 17,3 / 38.1 |
|  | U [V DC] | 25 |
| | I [A] | 42 |
|  | IP | 54 |
|  | TB [°C] | -20... +55 |
| | TB [°F] | -4... +131 |
| | TL [°C] | -30... +60 |
| | TB [°F] | -22... +140 |
|  | EN [dB(A)] | 71 |
| | NFPA [dB(A)] | 69 |
|  | EN [dB(A)] | 73 |
| | NFPA [dB(A)] | 71 |

en

es

fr

pt

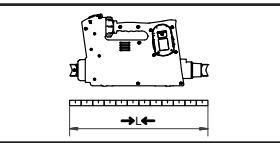
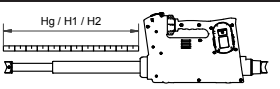
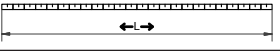
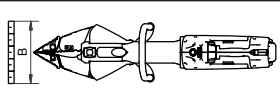
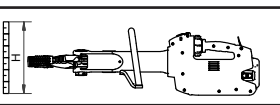
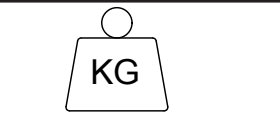
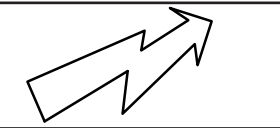



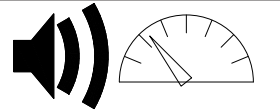


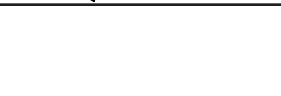


R 411 E2

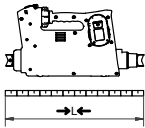
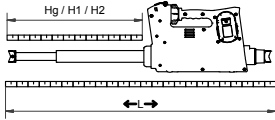
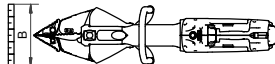
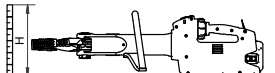


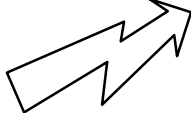



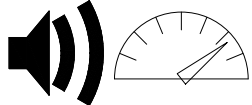
en

es

fr

pt

| | | |
|---|---|---------------------------|
|  | $\rightarrow L \leftarrow$ [mm] / [in.] | 597 / 23.5 |
|  | $\leftarrow L \rightarrow$ [mm] / [in.] | 984 / 38.7 |
|  | Hg [mm] / [in.] | 387 / 15.2 |
|  | HSF1 [kN] / [lbf.] | 127 / 28600 |
|  | [mm] / [in.] | 135 / 5.31 |
|  | [mm] / [in.] | 313 / 12.3 |
|  | [kg] / [lbs.] | 16,9 / 37.3 |
|  | [kg] / [lbs.] | 17,8 / 39.2 |
|  | U [V DC] | 25 |
|  | I [A] | 42 |
|  | IP | 54 |
|  | TB [°C] TB [°F] | -20... +55 -4... +131 |
|  | TL [°C] TB [°F] | -30... +60 -22... +140 |
|  | EN [dB(A)] | 71 |
|  | NFPA [dB(A)] | 69 |
|  | EN [dB(A)] | 73 |
| | NFPA [dB(A)] | 70 |

| | | |
|---|---|-------------|
|  | →L← [mm] / [in.] | 597 / 23.5 |
|  | ←L→ [mm] / [in.] | 1347 / 53 |
| | Hg [mm] / [in.] | 750 / 29.5 |
| | H1 [mm] / [in.] | 387 / 15.2 |
| | H2 [mm] / [in.] | 363 / 14.3 |
| | HSF1 [kN] / [lbf.] | 127 / 28600 |
| | HSF2 [kN] / [lbf.] | 60 / 13500 |
|  | [mm] / [in.] | 135 / 5.31 |
|  | [mm] / [in.] | 313 / 12.3 |
|  | [kg] / [lbs.] | 19 / 41.9 |
| | [kg] / [lbs.]  | 19,9 / 43.8 |
|  | U [V DC] | 25 |
| | I [A] | 42 |
|  | IP | 54 |
|  | TB [°C] | -20... +55 |
| | TB [°F] | -4... +131 |
| | TL [°C] | -30... +60 |
| | TB [°F] | -22... +140 |
|  | EN [dB(A)] | 71 |
| | NFPA [dB(A)] | 69 |
|  | EN [dB(A)] | 73 |
| | NFPA [dB(A)] | 70 |

en

es

fr

pt

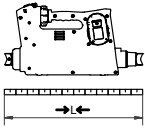
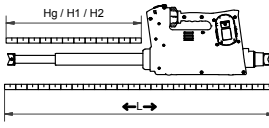
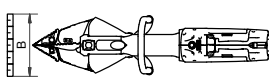
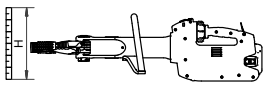





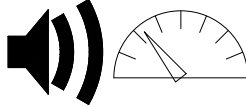
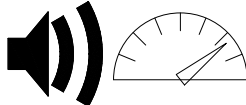
R 422 E2

en

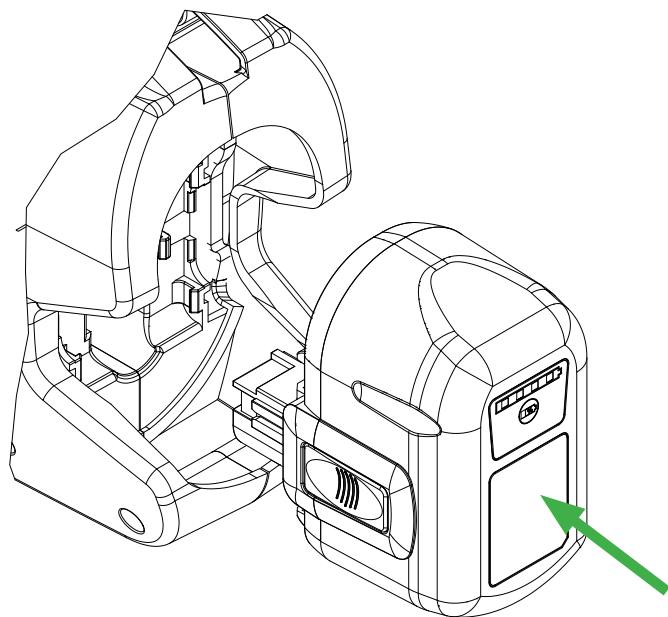
es

fr

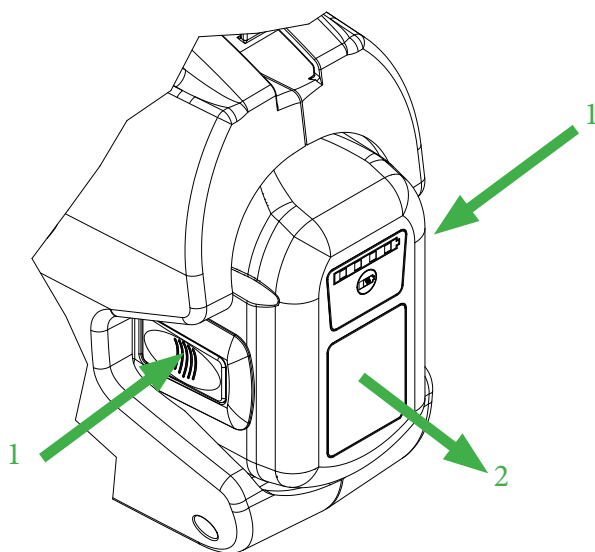
pt

| | | |
|---|---|-------------|
|  | $\rightarrow L \leftarrow$ [mm] / [in.] | 750 / 29.5 |
|  | $\leftarrow L \rightarrow$ [mm] / [in.] | 1500 / 59.1 |
| | Hg [mm] / [in.] | 750 / 29.5 |
| | H1 [mm] / [in.] | 387 / 15.2 |
| | H2 [mm] / [in.] | 363 / 14.3 |
| | HSF1 [kN] / [lbf.] | 127 / 28600 |
| | HSF2 [kN] / [lbf.] | 60 / 13500 |
|  | [mm] / [in.] | 135 / 5.31 |
|  | [mm] / [in.] | 313 / 12.3 |
|  | [kg] / [lbs.] | 20,8 / 45.9 |
| | [kg] / [lbs.]  | 21,8 / 48 |
|  | U [V DC] | 25 |
| | I [A] | 42 |
|  | IP | 54 |
|  | TB [°C] | -20... +55 |
| | TB [°F] | -4... +131 |
| | TL [°C] | -30... +60 |
| | TB [°F] | -22... +140 |
|  | EN [dB(A)] | 71 |
| | NFPA [dB(A)] | 69 |
|  | EN [dB(A)] | 73 |
| | NFPA [dB(A)] | 70 |

A.)



B.)



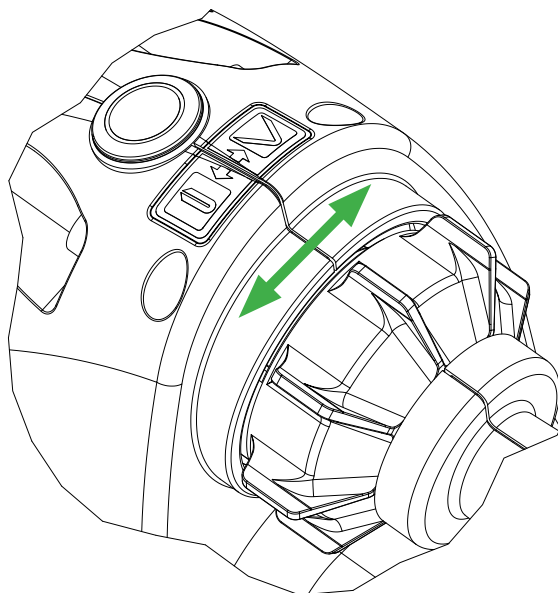
en

es

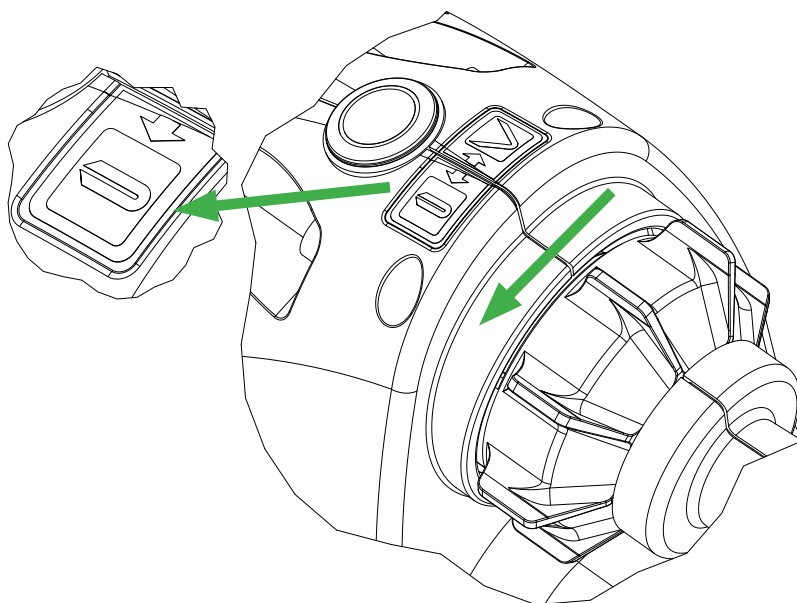
fr

pt

c.)



d.)



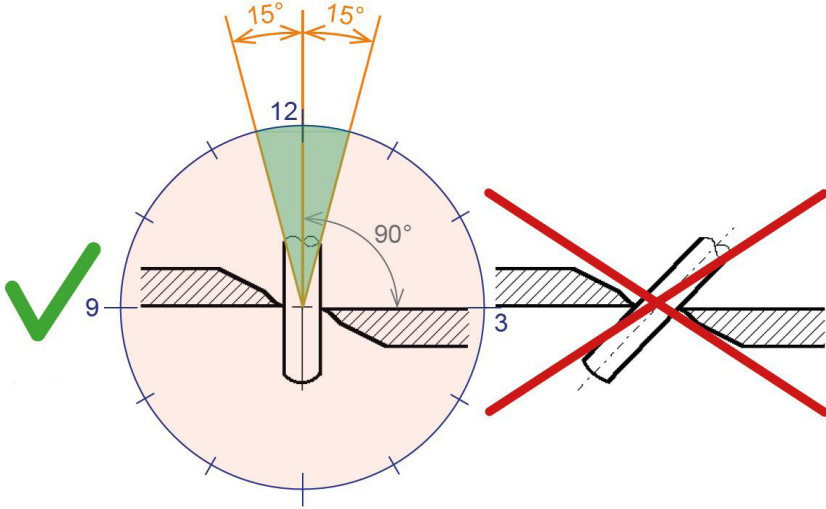
en

es

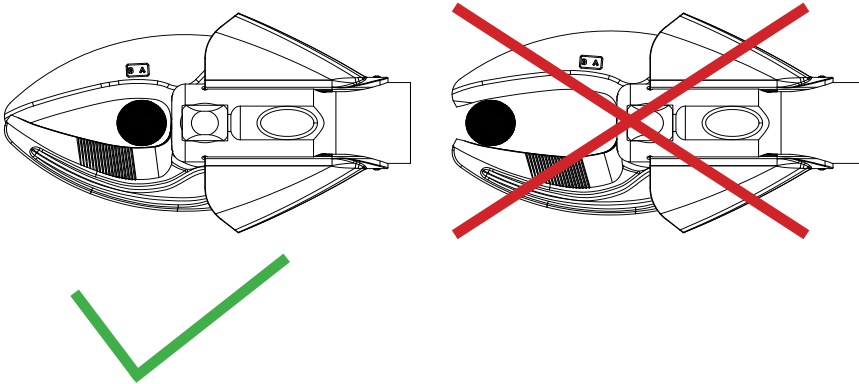
fr

pt

E.)



F.)



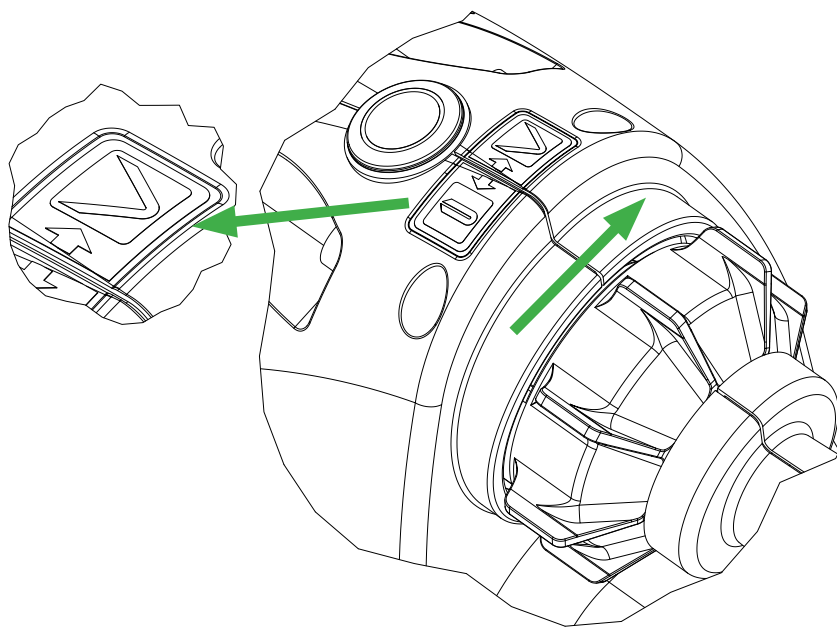
en

es

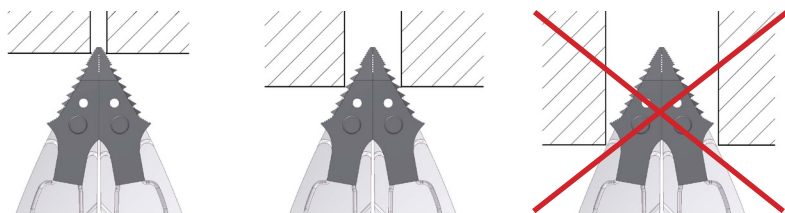
fr

pt

G.)



H.)



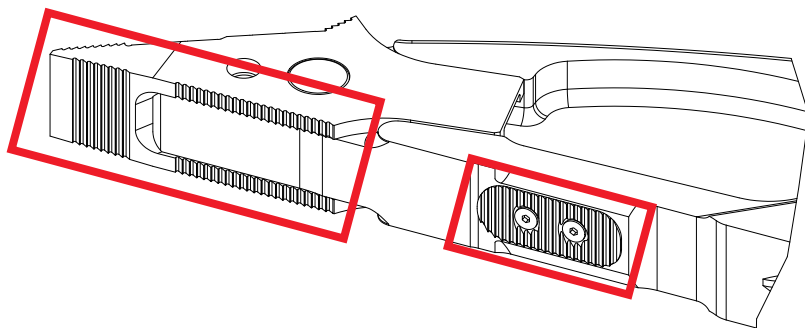
en

es

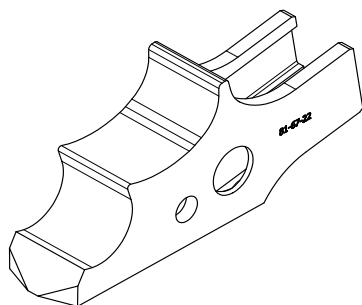
fr

pt

J.)



K.)



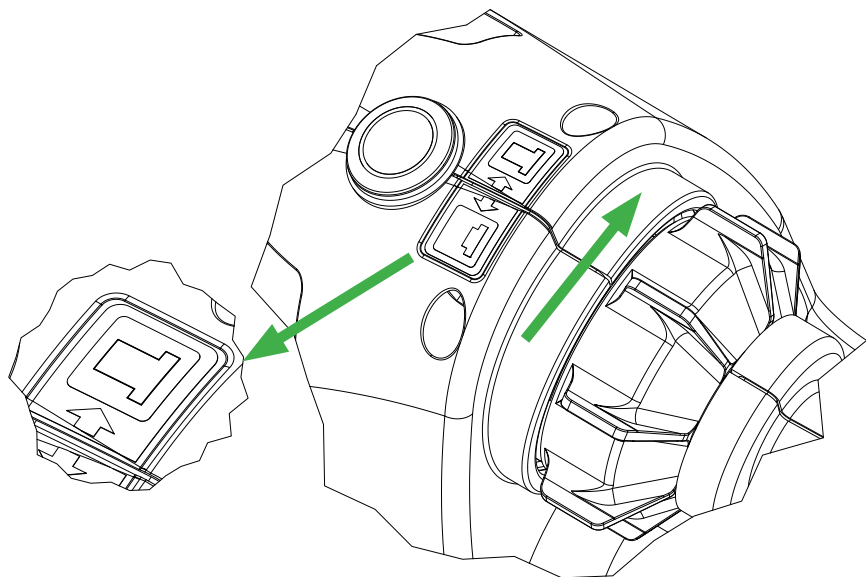
en

es

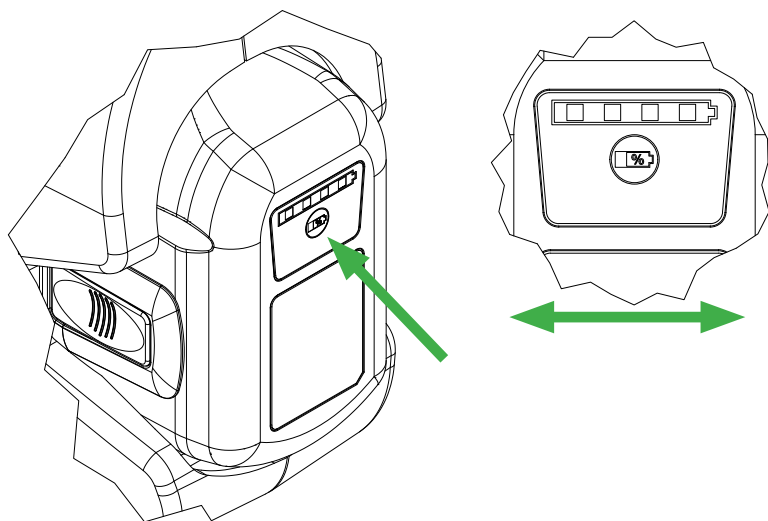
fr

pt

L.)



M.)



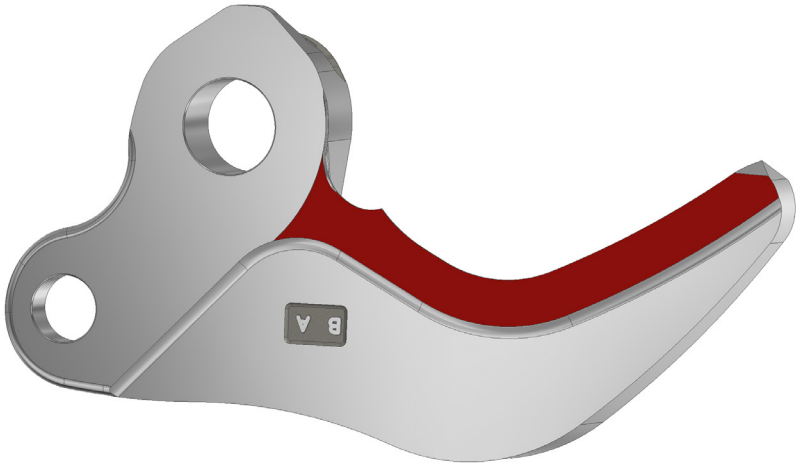
en

es

fr

pt

N.)



en

es

fr

pt



A Unit of IDEX Corporation

711 North Post Road
Shelby, NC 28150

Email: contacthurst@idexcorp.com

Phone: 1-800-537-2659

Web: www.jawsoflife.com

Subject to Revision